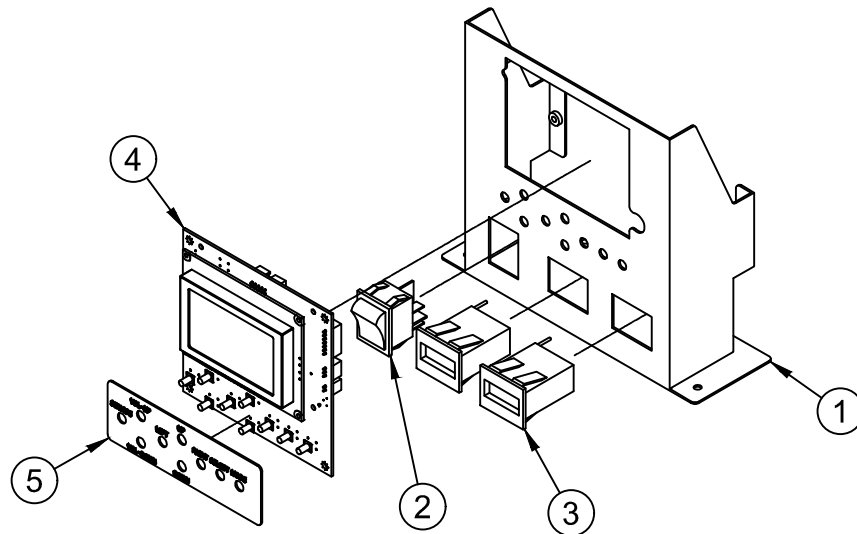
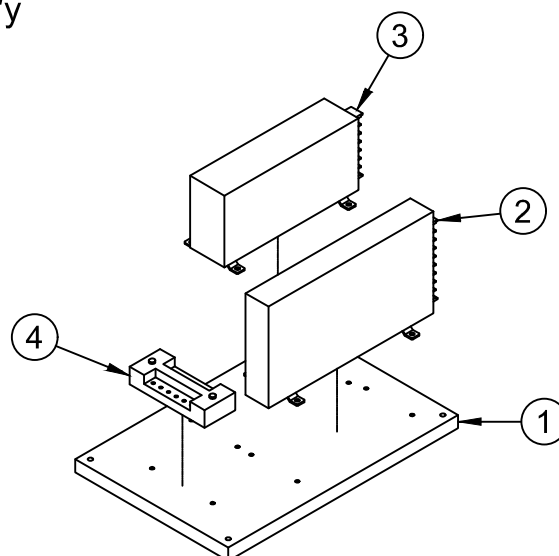


## 1. AC POWER SWITCH Ass'y



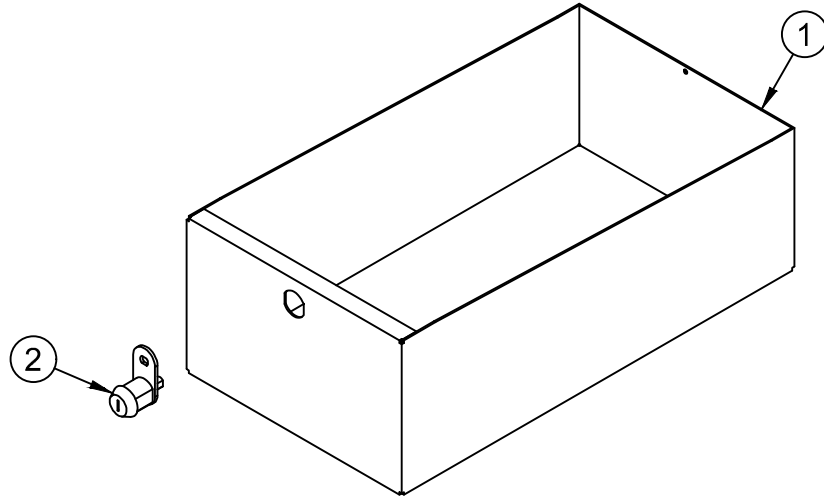
NO.	Code Number	QUANTITY	PART NAME	SPEC.
1	1911.WJ.10010700	1	AC POWER SWITCH BRACKET	SPCC-1.2t
2	0000.SJ.521100030	1	ROCKER SWITCH	T-125 4P
3	0000.DZ.742030600	2	COUNTER	AMMC-712(OA127CL)
4	AMAR0BOA016	1	SETUP LCD BOARD Ass'y	KMLCD-1606-116A
5	1911.YS.B0005800	1	SETUP PCB SHEET	SHEET

## 2. POWER SMPS Ass'y



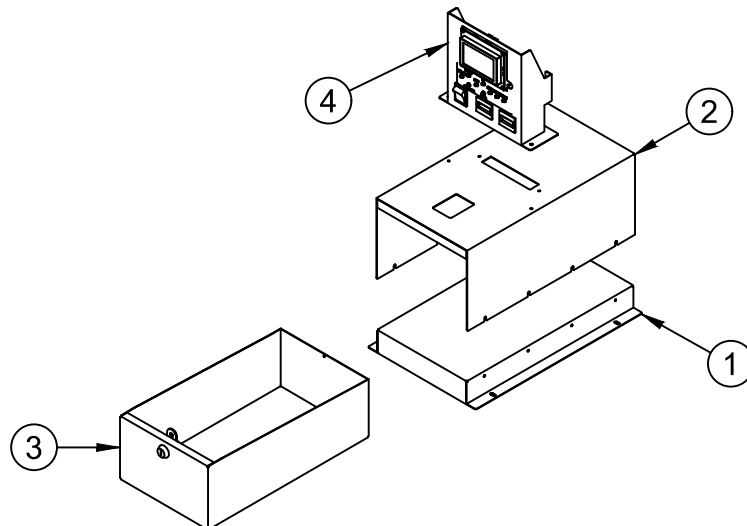
NO.	Code Number	QUANTITY	PART NAME	SPEC.
1	1911.BC.000000200	1	SMPS PLATE	PW-15.0t
2	0000.JD.1LRS35012	1	POWER SMPS 5V (LRS-200-5)	110~240V/5V-40A
3	1703.JD.1LRS20005	1	POWER-SMPS(ORIENT) JSF150-12	110~240V/12V-12.5A
4	MELE0TEB001	1	TERMINAL BLOCK (6P)	6P UL

### 3. CASH BOX Ass'y



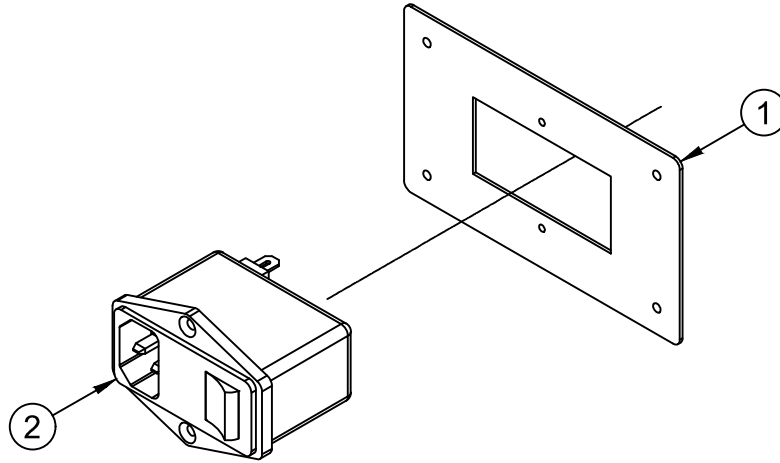
NO.	Code Number	QUANTITY	PART NAME	SPEC.
1	1911.WJ.10011100	1	CASH BOX	SPCC-1.2t
2	0000.PJ.651161180	1	key ass'y(6001)	6001

### 4. CASH BOX BODY Ass'y



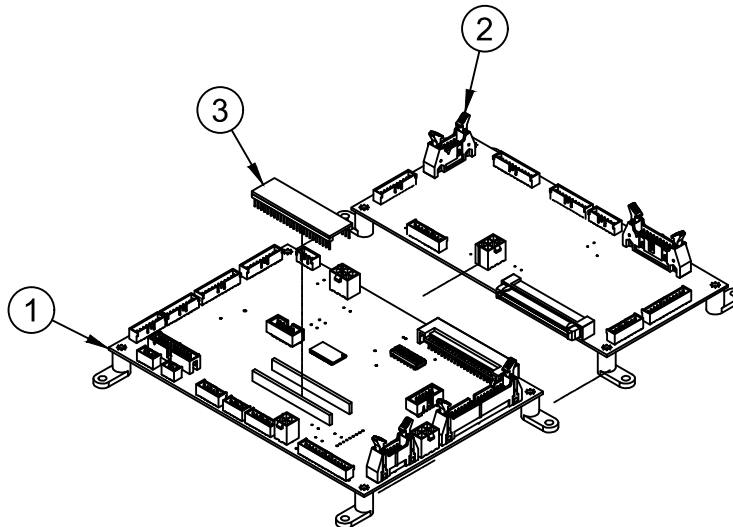
NO.	Code Number	QUANTITY	PART NAME	SPEC.
1	1911.WJ.10010900	1	CASH BOX BODY BOTTOM	SPCC-1.2t
2	1911.WJ.10011000	1	CASH BOX BODY COVER WELD Ass'y	WELD Ass'y (□□□)
3	1911.WJ.10011100	1	CASH BOX Ass'y	ASSEMBLE (□□□)
4	1911.WJ.10010700	1	AC POWER SWITCH Ass'y	ASSEMBLE (□□□)

## 5. NOISE FILTER Ass'y



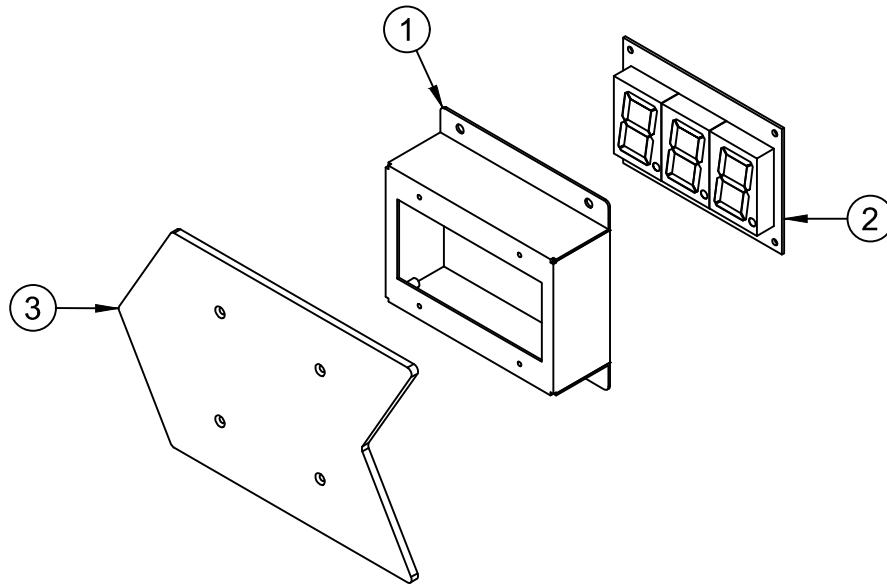
NO.	Code Number	QUANTITY	PART NAME	SPEC.
1	1101.WJ.111170140	1	AC INPUT BRACKET	SPCC-1.2t
2	0000.DZ.8BXZ00001	1	NOISE FILTER	IP-0642-H2

## 6. SYNC PONG MAIN BOARD Ass'y



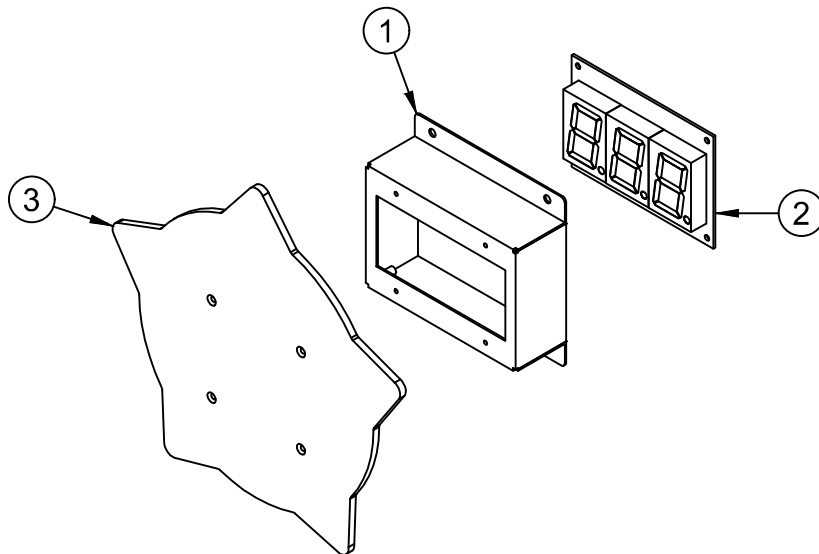
NO.	Code Number	QUANTITY	PART NAME	SPEC.
1	Code No.	1	SYNC PONG MAIN BOARD	KMMA-1606-104C-KOM
2	Code No.	1	SYNC PONG IO BOARD	KMIO-1803-170A
3	Code No.	1	SYNC PONG SOUND-IC64 BOARD	KMMM100808A

## 7. BALL PASS SCORE Ass'y



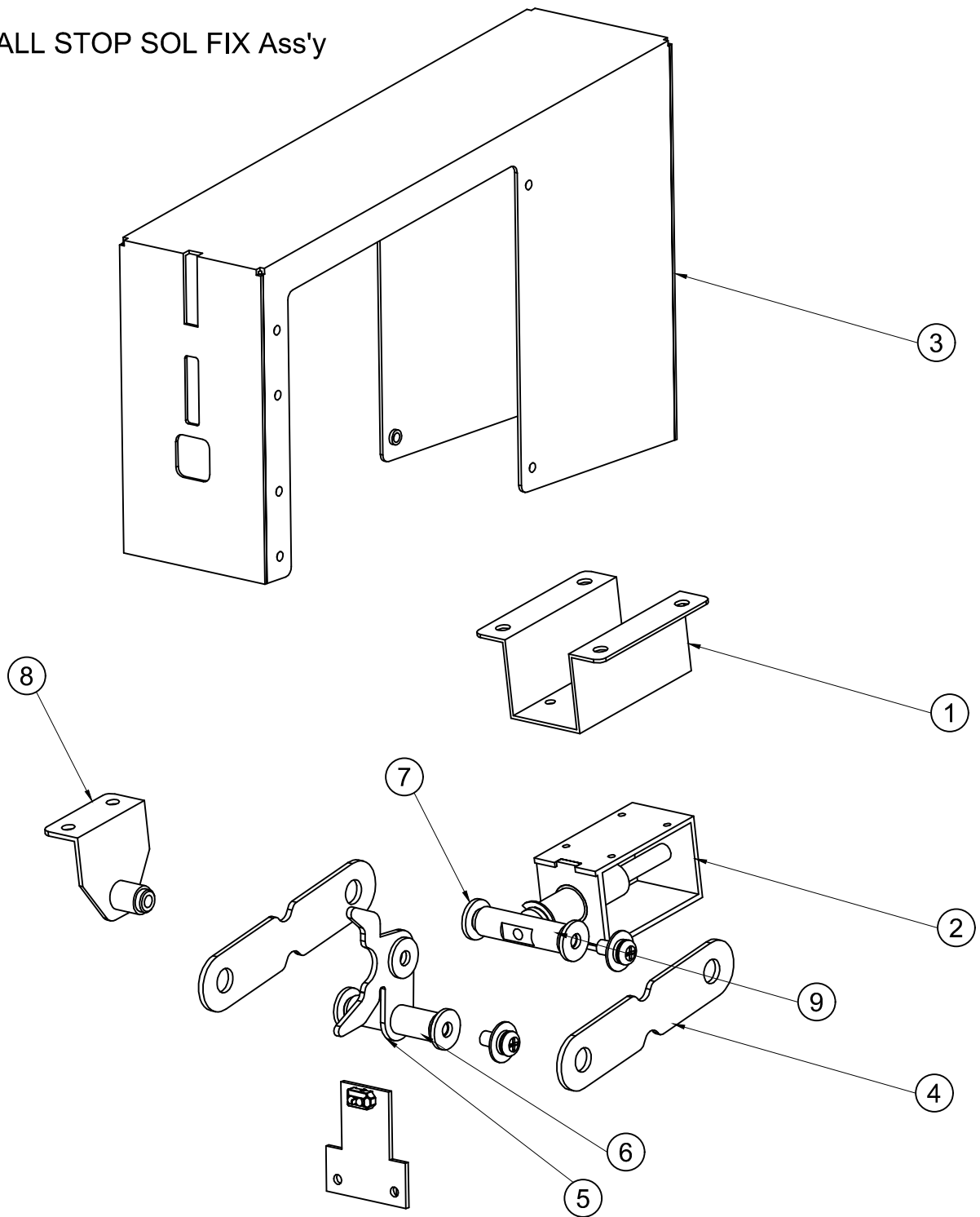
NO.	Code Number	QUANTITY	PART NAME	SPEC.
1	1911.WJ.10008000	1	BALL PASS SCORE FND BRKT	SPCC-1.2t
2	1911.BC.A00000101	1	SCORE FND3 BOARD	KMFND-1807-174A
3	1911.YS.C0000600	1	BALL PASS SCORE ACRYL	CLEAR ACRYL - 4.5t (□□□□□)

## 8. MINI BONUS BALL PASS SCORE Ass'y



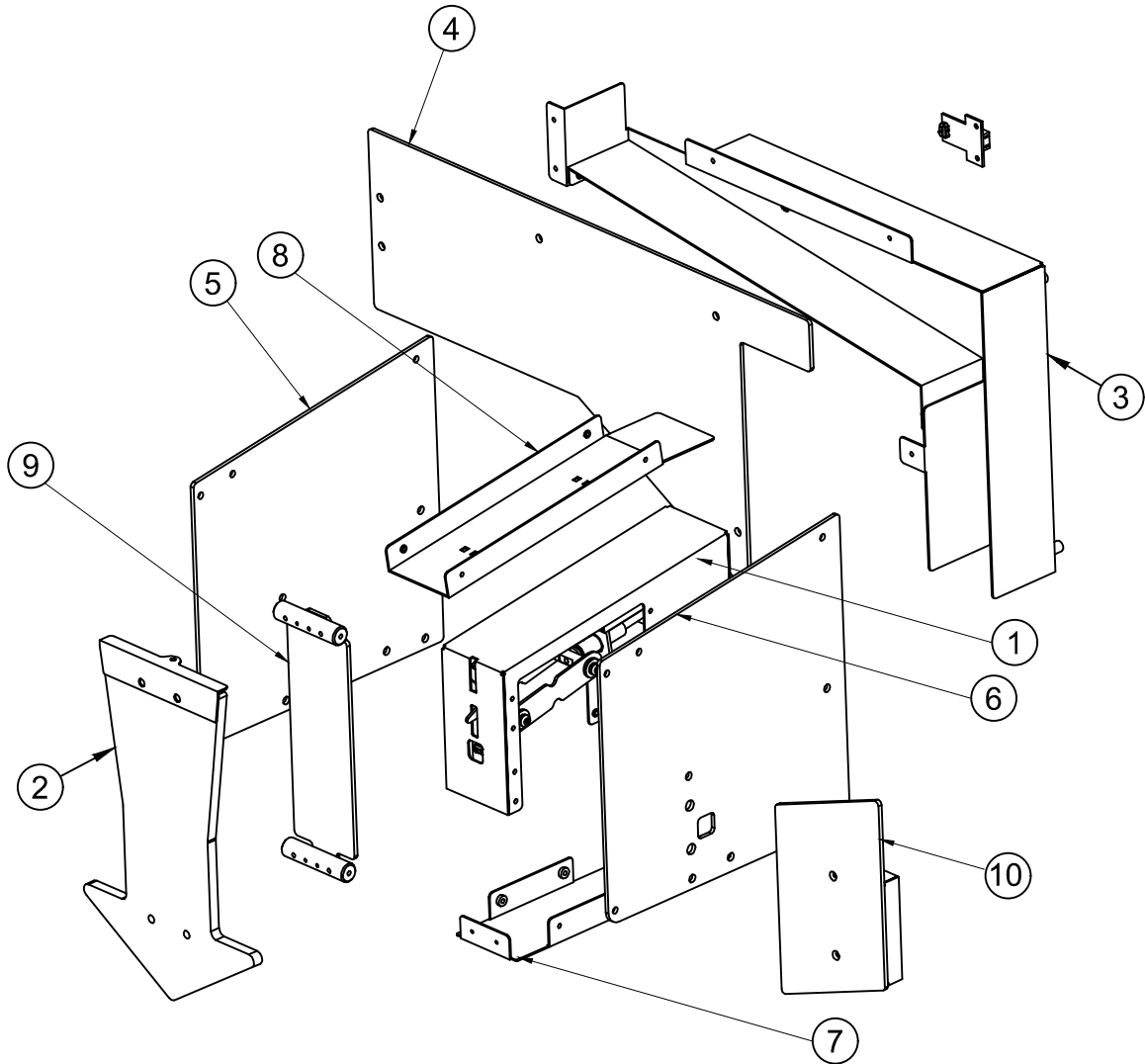
NO.	Code Number	QUANTITY	PART NAME	SPEC.
1	1911.WJ.13014300	1	BALL PASS SCORE FND BRKT	SPCC-1.2t
2	Code No.	1	SCORE FND3 BOARD	KMFND-1807-174A
3	1911.YS.C0000400	1	PONG SCORE ACRYL	CLEAR ACRYL - 4.5t (□□□□□)

## 9. BALL STOP SOL FIX Ass'y



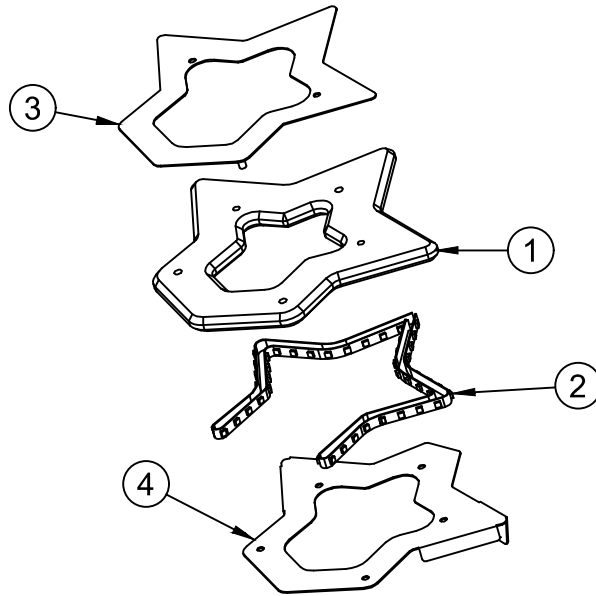
NO.	Code Number	QUANTITY	PART NAME	SPEC.
1	1911.WJ.13007700	1	BALL STOP SOL FIX BRKT	SUS304-1.5t
2	MZZZ0SOL003	1	SOLENOID (DS12ES12V)	DS12ES12V
3	1911.WJ.13007400	1	BALL STOP SOL SUPPORT BRKT	SPCC-1.2T
4	1911.WJ.13007800	2	BALL STOP HOOK LINK BRKT	SUS304-2.0t
5	1911.WJ.13007900	1	BALL STOP HOOK BRKT	SUS304-2.0t (1P)
6	1911.WJ.00000101	1	BALL STOP SOL PIN	AL (□□□□)
7		5	BEARING WASHER	SM45C
8	1911.WJ.13007400	1	Exit card holder	SM45C
9	1911.WJ.00000103	1	BALL STOP SOL LINK SHAFT	AL (□□□□)

# 10. BALL STOP SOL Ass'y



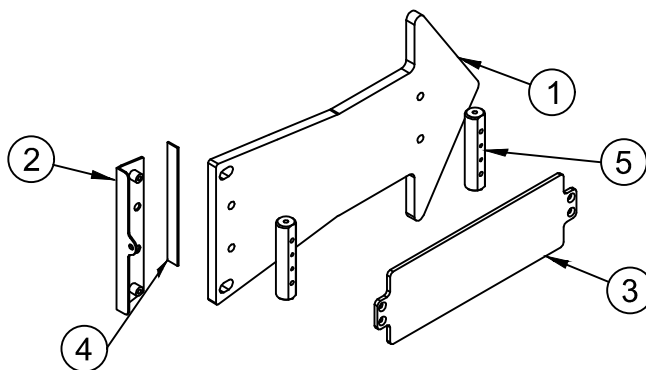
NO.	Code Number	QUANTITY	PART NAME	SPEC.
1		1	BALL STOP SOL FIX Ass'y	ASSEMBLE (□□□)
2	1911.YS.C0001100	1	BALL GO ACRYL	CLEAR ACRYL - 8t (□□□□□)
3	1911.WJ.13004000	1	Drop chute A	SPCC-1.2T
4	1911.YS.C0004400	1	PC in front of fairway	CLEAR PC - 3t
5	1911.YS.C0004500	1	Fairway side A-PC	CLEAR PC - 3t
6	1911.YS.C0004600	1	Fairway side B-PC	CLEAR PC - 3t
7	1911.WJ.13007500	1	Outgoing ball electromagnetic set bracket B	SPCC-1.2T
8	1911.WJ.13007600	1	Outgoing ball electromagnetic set bracket C	SPCC-1.2T
9	1911.YS.C0004800	1	PC in the fairway	CLEAR PC - 3t
10	1911.YS.C0004700	1	Ball count PC	CLEAR PC - 3t

## 11. BONUS PASS ACRYL Ass'y



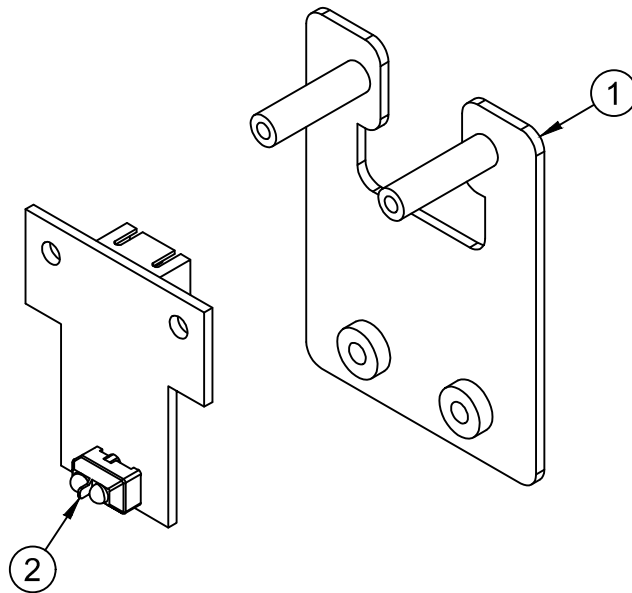
NO.	Code Number	QUANTITY	PART NAME	SPEC.
1	1911.YS.A0001400	1	BONUS PASS ACRYL	WHITE LIGHT ACRYL-15.0t (□□□□)
2	Code No.	2	BONUS PASS HOLE FLEXIBLE	550-1/3-50L-33LED
3	1911.WJ.10012300	1	BONUS STAR ACRYL COVER BRKT	SPCC-1-2t
4	1911.WJ.10012400	1	BONUS STAR ACRYL INNER BRKT	SPCC-1.2t

## 12. BALL GO ACRYL Ass'y



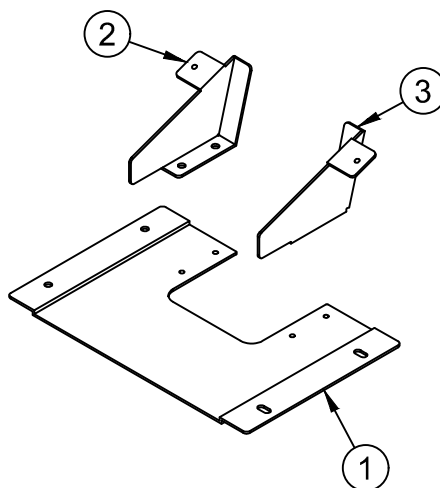
NO.	Code Number	QUANTITY	PART NAME	SPEC.
1	1911.YS.C0001100	1	BALL GO ACRYL	CLEAR ACRYL - 8t (□□□□□)
2	1911.WJ.13007300	1	BALL GO ACRYL FIX BRKT	SPCC-1.2t
3	1911.YS.C0004800	1	PC in the fairway	CLEAR PC - 3t
4	1509.PJ.5050W0100	1	PRIZE ZONE LED BOARD (RED)	KMLED-108A RED
5	1911.WJ.13014700	2	Forward drop mouth bracket	SUS

### 13. BONUS BALL SENSOR Ass'y



NO.	Code Number	QUANTITY	PART NAME	SPEC.
1	1911.WJ.10011900	1	BONUS BALL SENSOR CHECK BRKT	SPCC-1.6t
2	Code No.	1	BALL HOLE SENSOR BOARD Ass'y	TCRT5000

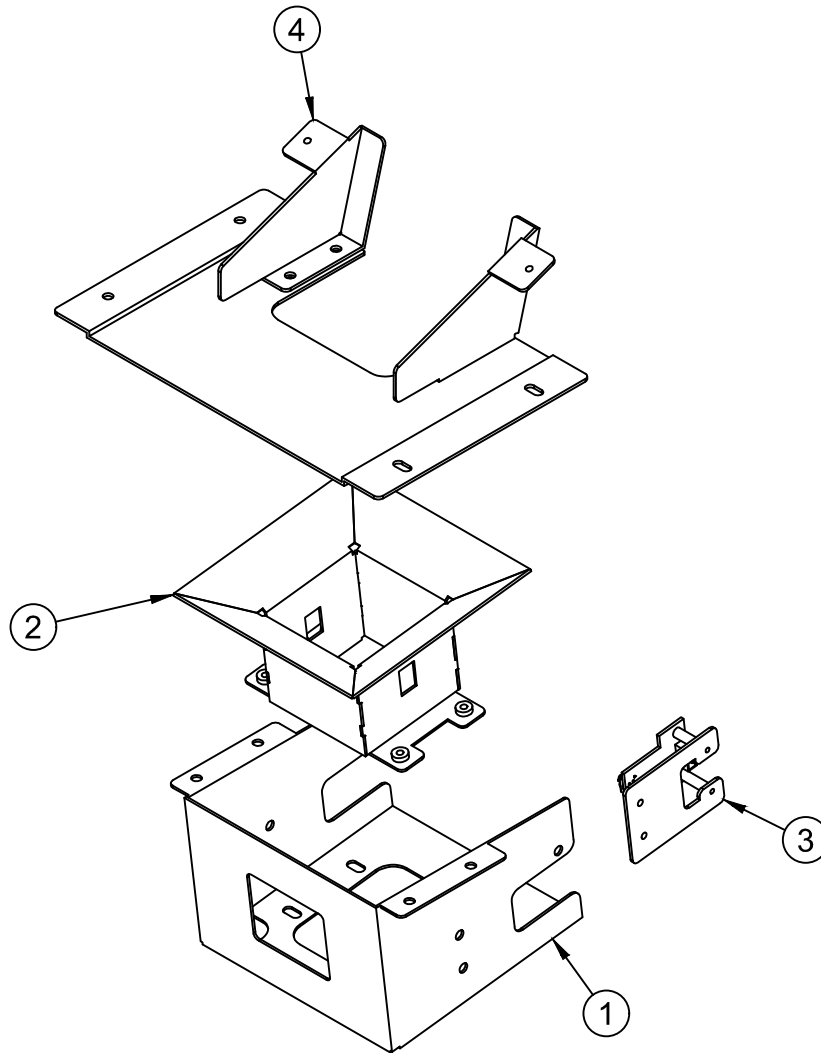
### 14. BONUS PASS BASE UP FIX Ass'y



NO.	Code Number	QUANTITY	PART NAME	SPEC.
1	1911.WJ.10012200	1	BONUS PASS BASE COVER BRKT	SPCC-1.6t
2	1911.WJ.10012000	1	BONUS HOLE BOTTOM FIX BRKT	SPCC-1.6t
3	1911.WJ.10012100	1	BONUS HOLE BOTTOM FIX BRKT_mir	SPCC-1.6t

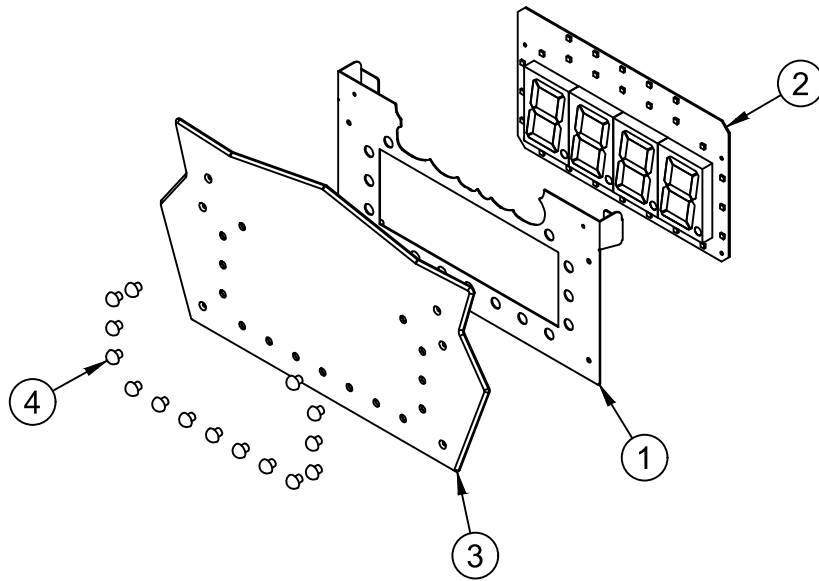


# 15. BONUS PASS BASE COVER Ass'y



NO.	Code Number	QUANTITY	PART NAME	SPEC.
1	1911.WJ.10011800	1	BONUS ACRYL INNER COVER BRKT	SPCC-1.2t
2	1911.WJ.10011700	1	BONUS PASS BALL GUIDE WELD Ass;y	WELD Ass'y (□□□)
3	1911.WJ.10011900	1	BONUS BALL SENSOR Ass'y	ASSEMBLE (□□□)
4	1911.WJ.10012200	1	BONUS PASS BASE UP FIX Ass'y	ASSEMBLE (□□□)

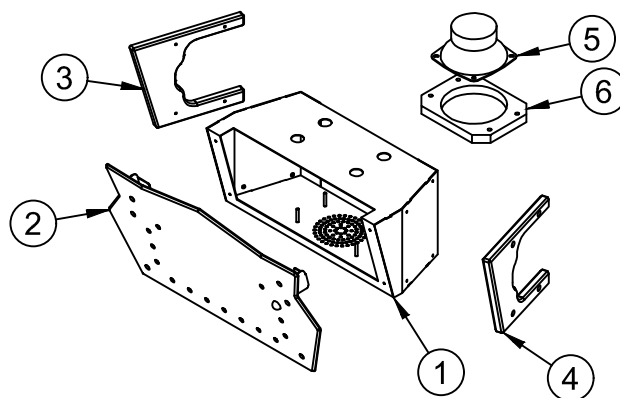
## 16. BONUS FND COVER Ass'y



NO.	Code Number	QUANTITY	PART NAME	SPEC.
1	1911.WJ.10012500	1	BONUS FND COVER BRKT	SPCC-1.2t
2	1621.BC.A01000006	1	BILLBOARD BONUS FND BOARD-FND BLUE	KMFND-1509-093A (BLUE)
3	1911.YS.B0000300	1	BONUS FND ACRYL	CLEAR ACRYL - 4.5t (□□□□□)
4	1129.SJ.00002400	15	LED CAP 10Φ	10Φ

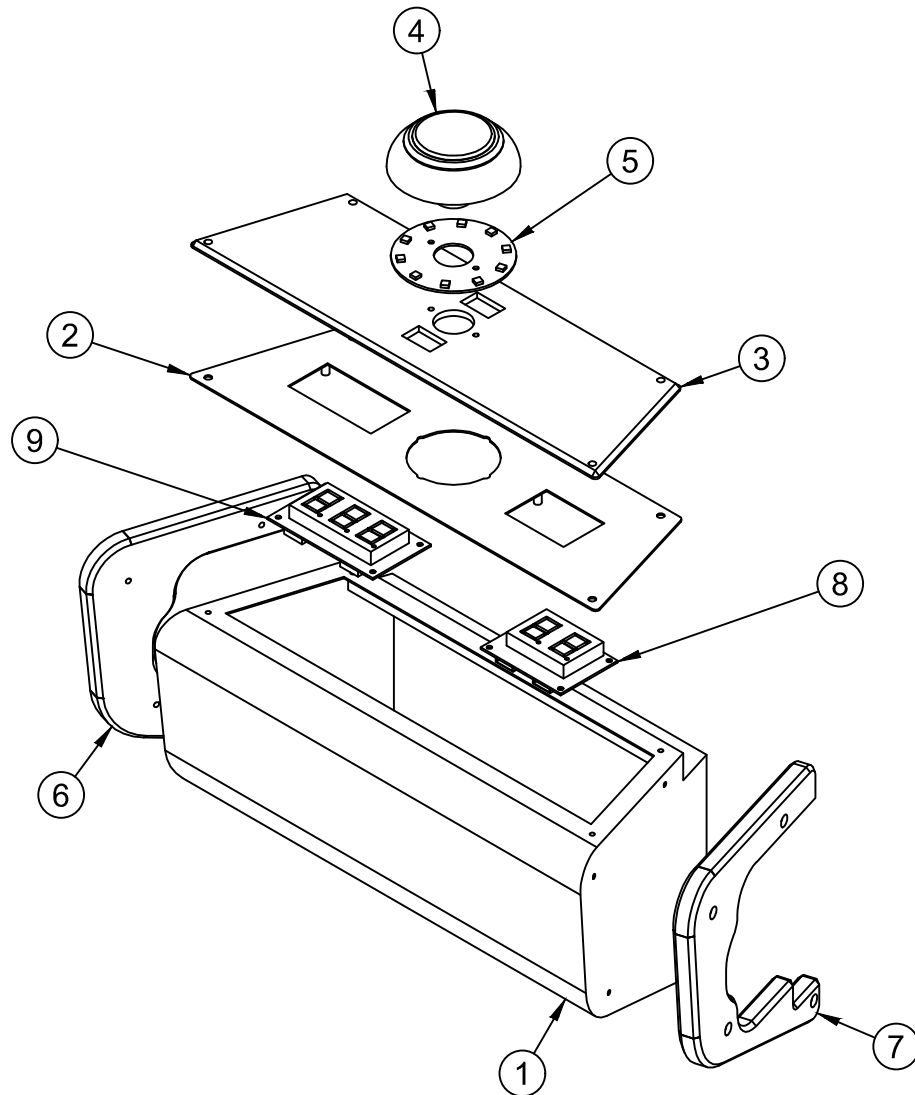
## 17. BONUS FND Ass'y

Code No.



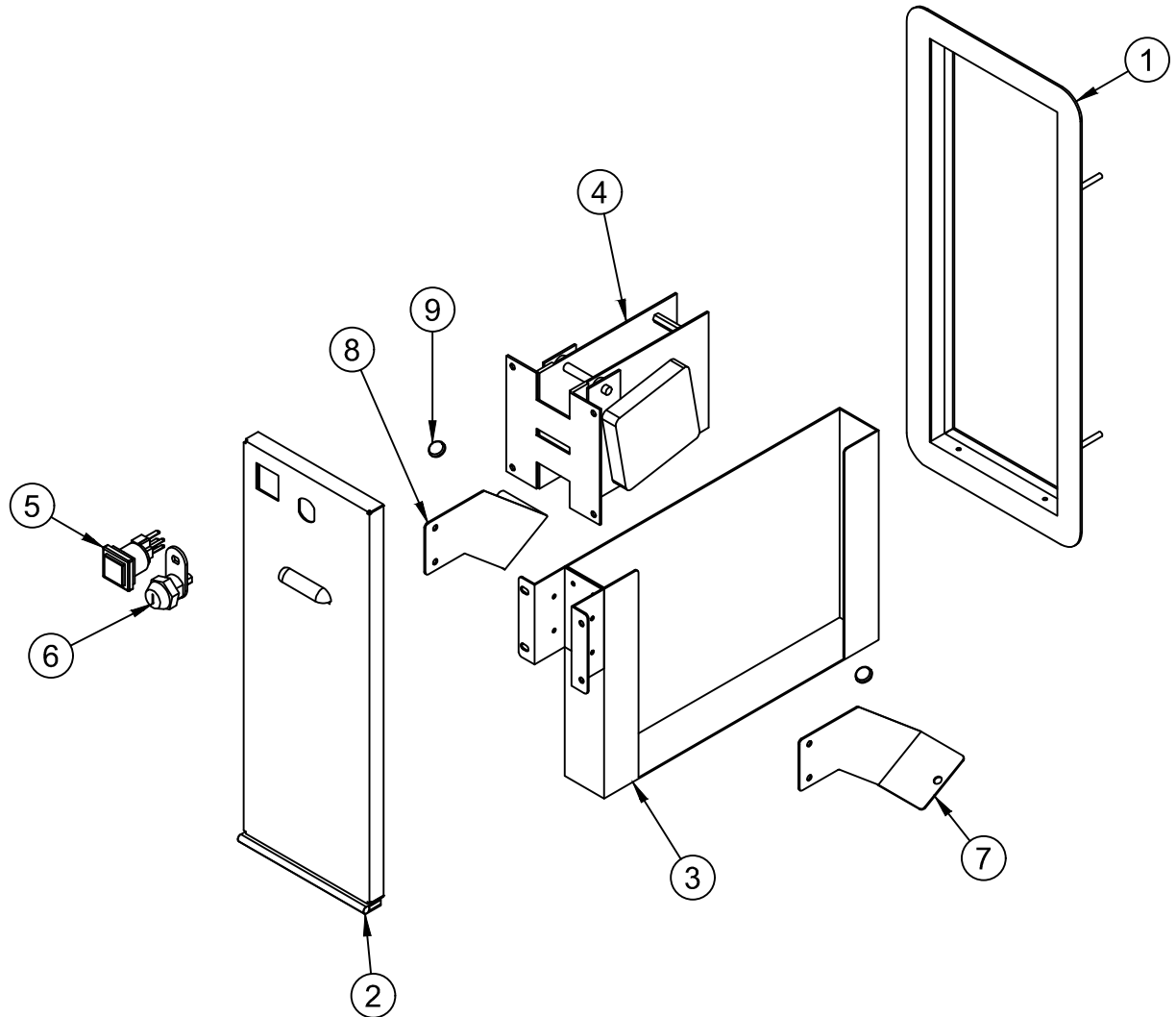
NO.	Code Number	QUANTITY	PART NAME	SPEC.
1	1911.WJ.10012600	1	BONUS FND BASE WELD Ass'y	WELD Ass'y (□□□□)
2	1911.YS.B0000300	1	BONUS FND COVER Ass'y	ASSEMBLE (□□□□)
3	1911.YS.A0001200	1	BONUS FND SIDE ACRYL	RED CLEAR ACRYL - 15t (□□□□□□□)
4	1911.YS.A0001300	1	BONUS FND SIDE ACRYL-R	RED CLEAR ACRYL - □□□□□□□
5	0000.JD.5KSWZ4110	1	SPEAKER [MID4.5]	MID 4.5 8Ω80W
6	1911.BC.000000200	1	SPEAKER PANNEL	PW-15t

## 18. BUTTON PAN Ass'y



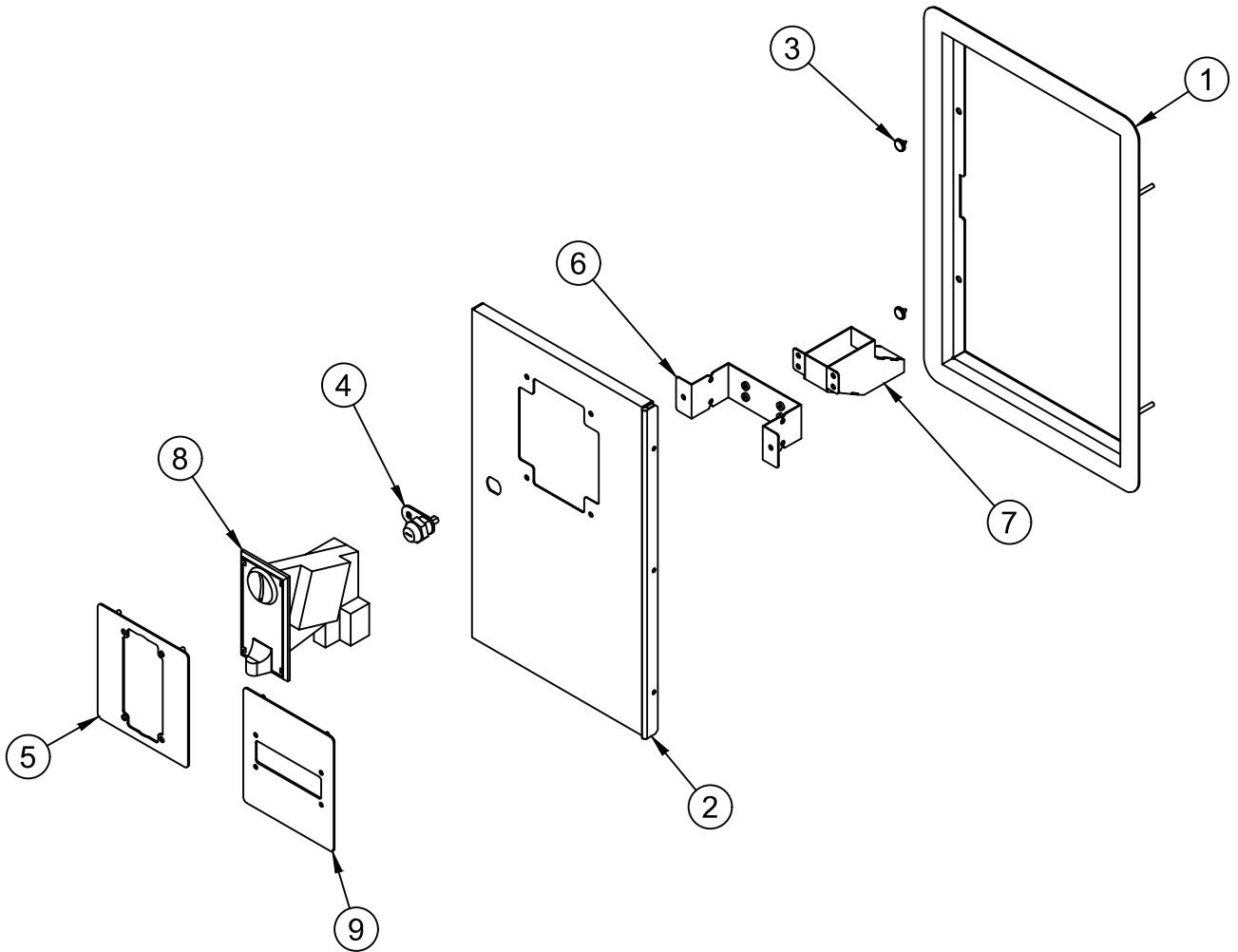
NO.	Code Number	QUANTITY	PART NAME	SPEC.
1	1911.WJ.10002300	1	BUTTON PAN BASE BRKT	SPCC-1.2t
2	1911.WJ.10002400	1	BUTTON PAN COVER BRKT	SPCC-1.2t
3	1911.YS.B0000900	1	BUTTON PAN COVER ACRYL	CLEAR ACRYL - 4.5t (□□□□□)
4	1709.PJ.04000500	1	LED BUTTON(Φ50)	LED TYPE Φ50
5	1709.BC.A0000100	1	BUTTON LED2	KMLD-1607-123A
6	1911.YS.A0001500	1	BUTTON PAN SIDE DECO ACRYL	RED CLEAR ACRYL -15t (□□□□□□)
7	1911.YS.A0001600	1	BUTTON PAN SIDE DECO ACRYL-R	CLEAR ACRYL - 15t (□□□□□)
8	1015.BC.I10000100	1	CREDIT FND	KMCF1017-2A
9	1015.BC.H00000010	1	TICKET OWED FND(KMTO1017-3A) BOARD	KMTO1017-3A

## 20. TICKET BOX ASSY



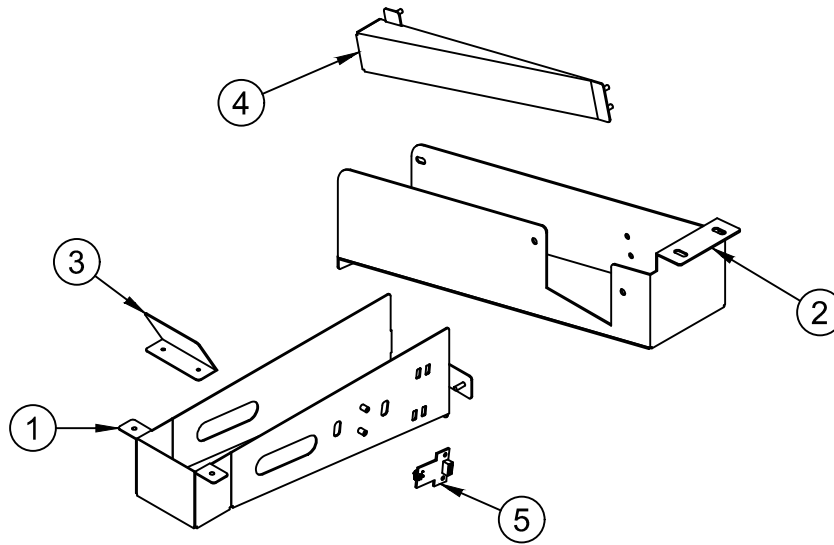
NO.	Code Number	QUANTITY	PART NAME	SPEC.
1	Code No.	1	TICKET DOOR COVER BKT	SPCC-1.6t
2	1911.WJ.10013800	1	TICKET DOOR WELD Ass'y	WELD Ass'y (□□□)
3	0000.SJ.500000006	1	TICKET BOX WELD Ass'y	WELD Ass'y (□□□)
4	0000.DZ.720XJ0000	1	TICKET □	CLECO
5	1508.WJ.10133000	1	BUTTON(26)	AM1PB-26SH-R12D
6	0000.PJ.651160080	1	key ass'y(7001)	7001
7	1911.WJ.10013700	1	TICKET DOOR STOP BAR	SPCC-1.2t
8	1911.WJ.10013700	1	TICKET DOOR STOP BAR_mir	SPCC-1.2t
9	MZZZ0RUB003	2	SHOCK ABSORBER	6Φ

# 19. FRONT DOOR ASSY



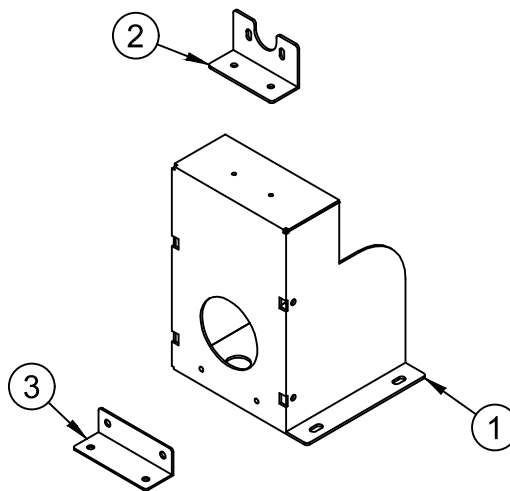
NO.	Code Number	QUANTITY	PART NAME	SPEC.
1	1911.WJ.10002200	1	FRONT DOOR COVER BRKT	SPCC-1.6t
2	1911.WJ.10002000	1	FRONT DOOR WELD ASSY	WELD Ass'y (□□□)
3	0000.PJ.00001000	2	SHOCK ABSORBER	6Φ
4	0000.PJ.651160080	1	key ass'y(7001)	7001
5	1911.WJ.10002100	1	COIN SELECTOR FIXED BKT	SPCC-1.6t
6	1911.WJ.10011300	1	COIN ACCEPT FIX BRKT	SPCC-1.2t
7	1911.WJ.10011200	1	COIN GUIDE ANGLE WELD Ass'y	WELD Ass'y (□□□)
8	0000.DZ.71TL13000	1	COIN SELECTOR(TONGLI)	TW-130Q
9	1911.WJ.10015300	1	CARD SWIFE FIXED BKT	SPCC-1.6t

## 21. BONUS PASS BALL RETURN BRKT Ass'y



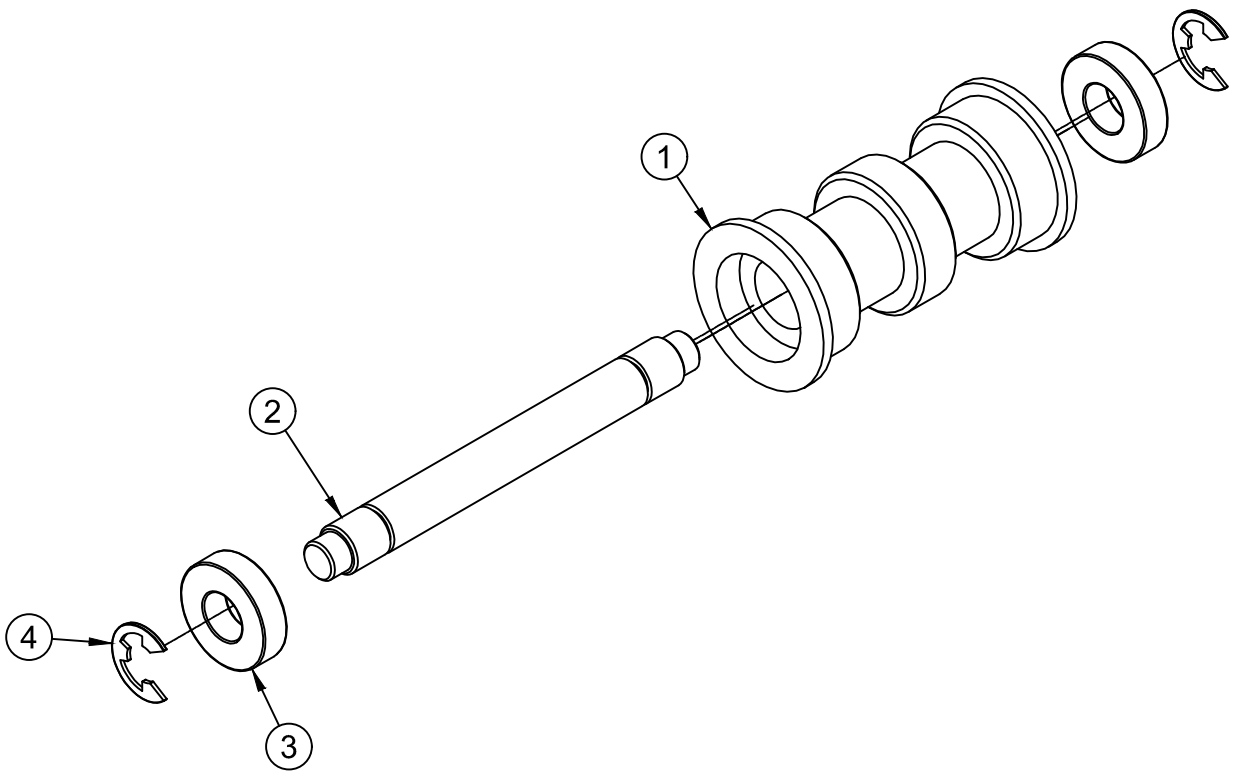
NO.	Code Number	QUANTITY	PART NAME	SPEC.
1	1911.WJ.13009200	1	BONUS PASS BALL RETURN BRKT A	SPCC-1.2t
2	1911.WJ.13009400	1	BONUS PASS BALL RETURN BRKT B	SPCC-1.6t
3	1911.WJ.10009300	1	BONUS BALL SLOPE BRKT	SPCC-1.2t
4	1911.WJ.10009500	1	BONUS PASS BALL ALIGNMENT BRKT	SPCC-1.2t
5	Code No.	1	BALL HOLE SENSOR BOARD Ass'y	TCRT5000

## 22. ELEVATOR BOTTOM SUPPROT BRKT Ass'y



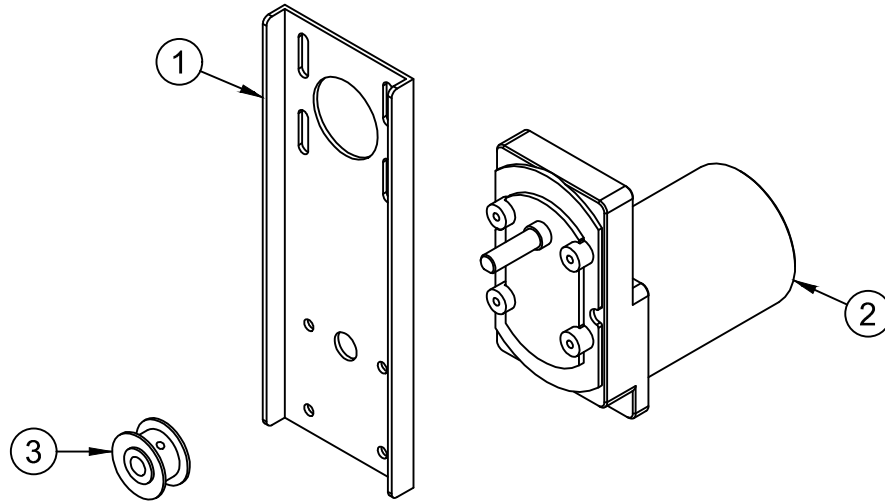
NO.	Code Number	QUANTITY	PART NAME	SPEC.
1	1911.WJ.10010000	1	ELEVATOR BOTTOM SUPPROT BRKT	SPCC-2t
2	1911.WJ.10010100	1	ELEVATOR BOTTOM FIX BRKT	SPCC-2t
3	1911.WJ.10010200	1	ELEVATOR BOTTOM REAR FIX BRKT	SPCC-1.6t

## 23. ELEVATOR EL TAIL PULLEY Ass'y



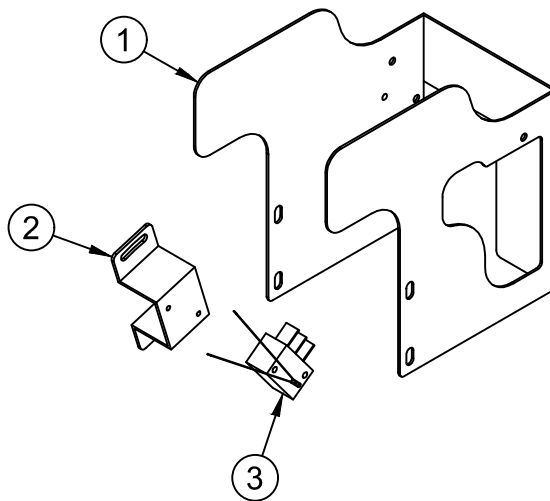
NO.	Code Number	QUANTITY	PART NAME	SPEC.
1	1911.WJ.00000600	1	ELEVATOR EL TAIL PULLEY	BLACK ACETAL (□□ □□□)
2	1911.WJ.00000800	1	ELEVATOR TAIL SHAFT	SM45C
3	0715.PJ.56900ZZ00	2	BEARING 6900ZZ	6900ZZ
4	0000.PJ.808000000	2	E Type Snapping 8	E8

## 24. ELEVATOR MOTOR Ass'y



NO.	Code Number	QUANTITY	PART NAME	SPEC.
1	1911.WJ.10010600	1	ELEVATOR MOTOR BRKT	SPCC-2.0t
2	1911.PJ.81040040K	1	KGY SERIES MOTOR (075)	K6DG15N1 (1/75, 40RPM)
3	1911.WJ.00000500	1	ELEVATOR PULLEY	AL 60(□□□□)

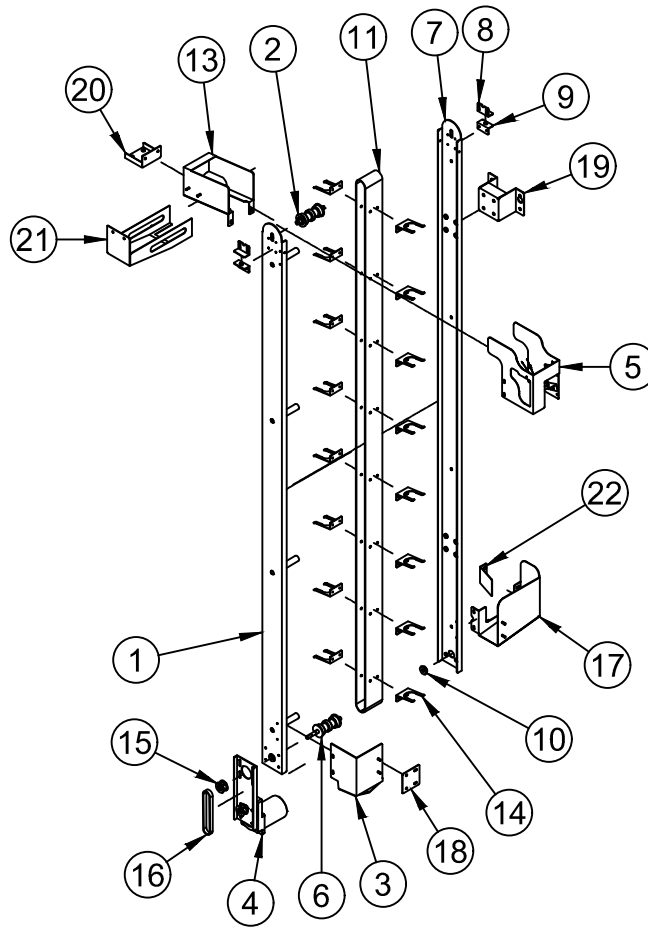
## 25. ELEVATOR SW BRKT COVER Ass'y



NO.	Code Number	QUANTITY	PART NAME	SPEC.
1	1911.WJ.10008800	1	ELEVATOR BALL ESCAPE BLOCK BRKT	SPCC-1.2t
2	1911.WJ.10008900	1	ELEVATOR BALL TOUCH SW BRKT	SPCC-1.6t
3	MELE0MIC002	1	MICRO SWITCH (ZIPPY-COIN TYPE)	CNR-05H-03(ZIPPY-COIN TYPE)

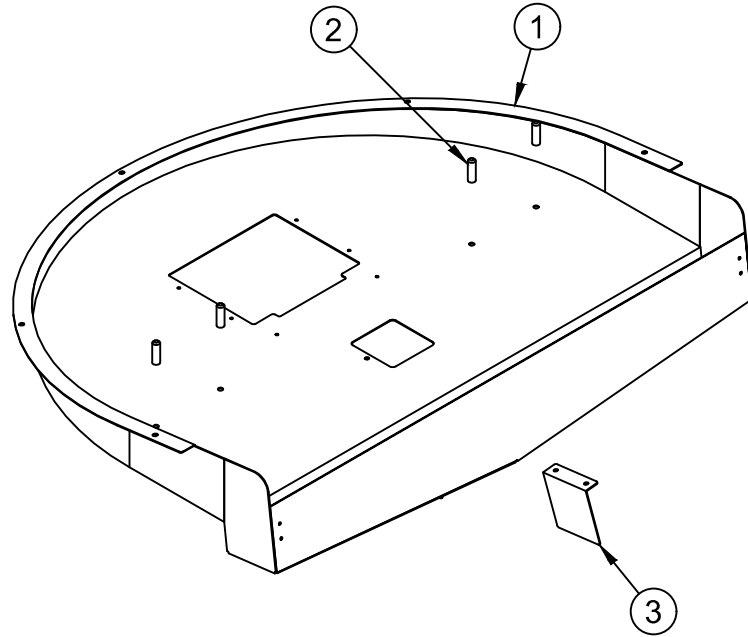


## 26. ELEVATOR Ass'y



NO.	Code Number	QUANTITY	PART NAME	SPEC.
1	1911.WJ.10009100	1	ELEVATOR EL BODY A WELD ASSY	WELD Ass'y (□□□)
2	1911.WJ.00000600	1	ELEVATOR EL TAIL PULLEY Ass'y	ASSEMBLE (□□□)
3	1911.WJ.13009700	1	ELEVATOR RAIL LOWER WELD Ass'y	WELD Ass'y (□□□)
4	1911.PJ.81040040K	1	ELEVATOR MOTOR Ass'y	ASSEMBLE (□□□)
5	1911.WJ.10008800	1	ELEVATOR SW BRKT COVER Ass'y	ASSEMBLE (□□□)
6	1911.WJ.00000700	1	ELEVATOR EL HEAD PULLEY	SM45C
7	1911.WJ.10009000	1	ELEVATOR EL BODY B	SPCC-2.0t
8	1911.WJ.10010400	2	ELEVATOR TENSION BRKT A	SPCC-2.0t
9	1911.WJ.10010500	2	ELEVATOR TENSION BRKT B	SPCC-2.0t
10	0915.PJ.5F698ZZ00	2	BEARING F698ZZ	F698ZZ
11	1911.PJ.00000100	1	ELEVATOR BELT 1605 15R	BLACK Conveyor Belt 2.0t
13	1911.WJ.13008600	1	ELEVATOR BALL SLOPE BRKT	SPCC-1.6t
14	1911.WJ.10008400	16	EELEVATOR BALL MOVE BRKT	SUS304-1.5t FLAT (□□□)
15	1911.WJ.00000500	1	ELEVATOR PULLEY	AL 60(□□□□)
16	1128.JD.8TBD00006	1	BELT 037 110XL	110XL037
17	1911.WJ.13009600	1	BONUS BALL ELEVATOR GUIDE BRKT	SPCC-1.6t
18	1911.WJ.10009900	1	ELEVATOR RAIL LINK BRKT	SPCC-1.2t
19	1911.WJ.10010300	1	ELEVATOR TOP FIX BRKT	SPCC-2t
20	1911.WJ.10008700	1	ELEVATOR TOP RAIL SUPPORT BRKT	SPCC-1.6t
21	1911.WJ.10008500	1	ELEVATOR BALL VACCUM ENTER GUIDE BRKT	SPCC-1.2t
22	1911.WJ.13009800	1	BONUS PASS BALL BOND STOP BRKT	SPCC-1.2t

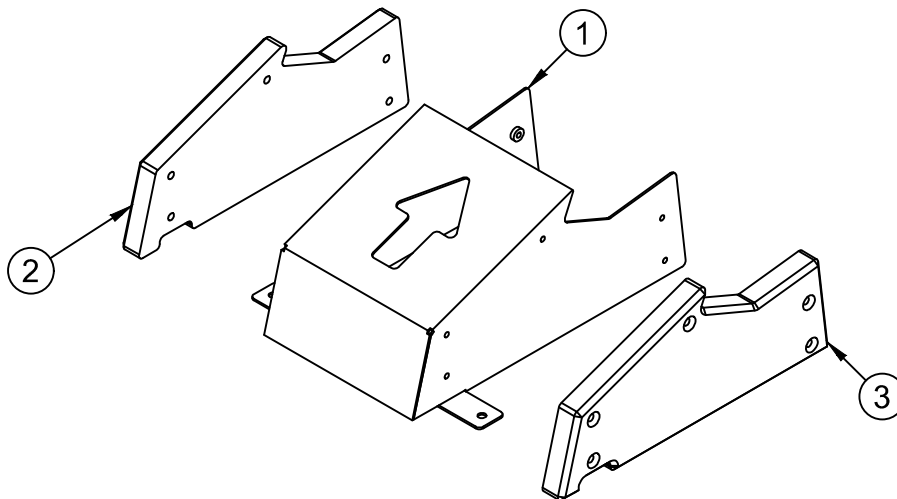
## 27. LOW GAME PAN Ass'y



NO.	Code Number	QUANTITY	PART NAME	SPEC.
1	1911.WJ.10011400	1	LOW GAME PAN WELD Ass'y	WELD Ass'y (□□□)
2	1911.WJ.13000400	4	LOW GAME BALL BOND BLOCK PIN	SM45C
3	1911.WJ.13013900	1	LOW BALL BONUD STOP BRKT	SPCC-1.2t

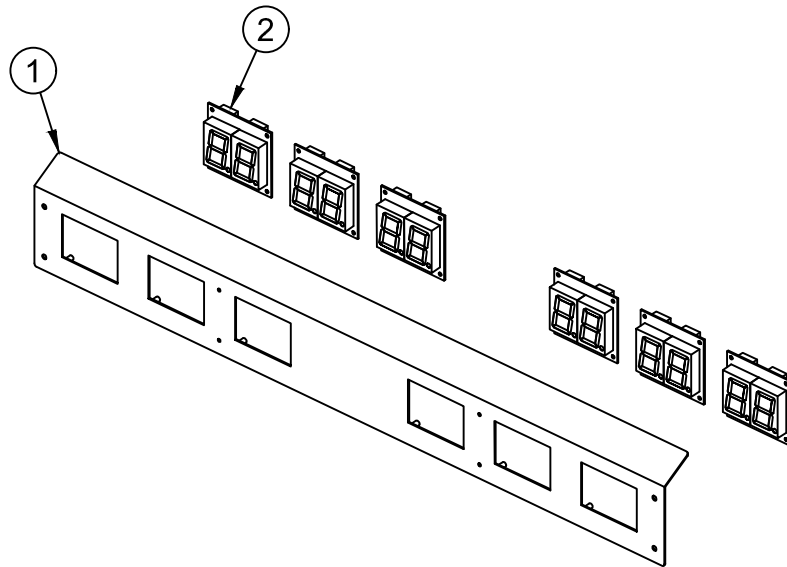
## 28. LOW PAN UPPER CENTER BASE Ass'y

Code No.



NO.	Code Number	QUANTITY	PART NAME	SPEC.
1	1911.WJ.10011600	1	LOW PAN UPPER CENTER BASE BRKT	SPCC-1.2t
2	1911.YS.A0001900	1	LOW PAN UPPER BASE Ass'y SIDE ACRYL	WHITE LIGHT ACRYL-15.0t (□□□)
3	1911.YS.A0002000	1	LOW PAN UPPER BASE Ass'y SIDE ACRYL_mir	WHITE LIGHT ACRYL-15.0t (□□□)

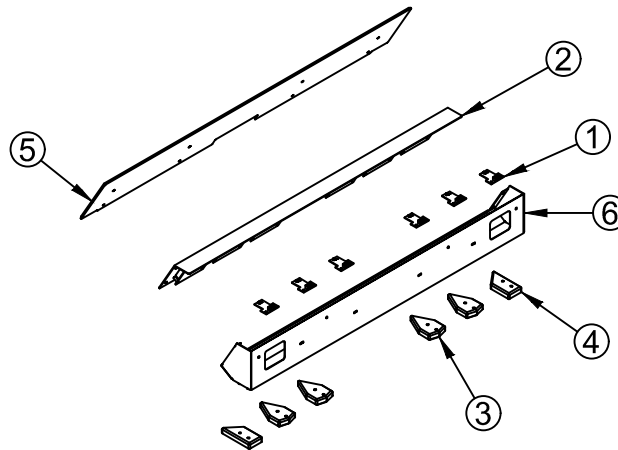
## 29. LOW HOLE FRONT COVER Ass'y



NO.	Code Number	QUANTITY	PART NAME	SPEC.
1	1911.WJ.10003700	1	LOW HOLE FRONT COVER BRKT	SPCC-1.6t
2	1911.BC.A00000100	6	SCORE FND BOARD (KMFND1610-126B)	KMFND1611-126B

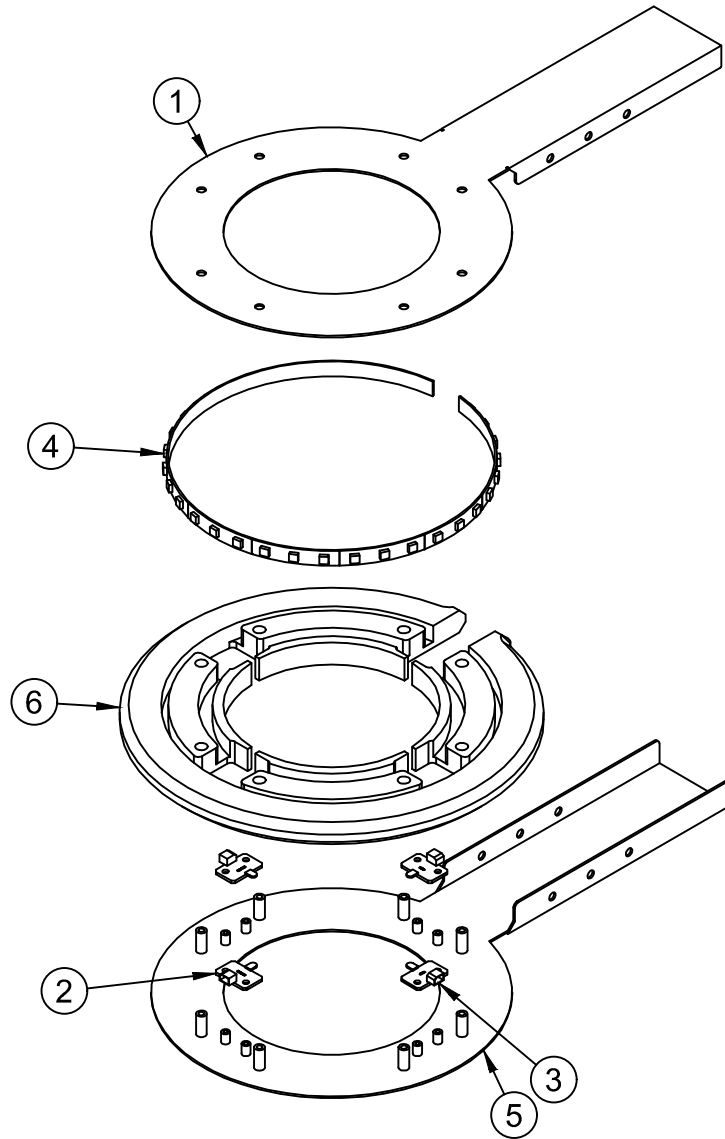
## 30. LOW HOLE SCORE Ass'y

Code No.



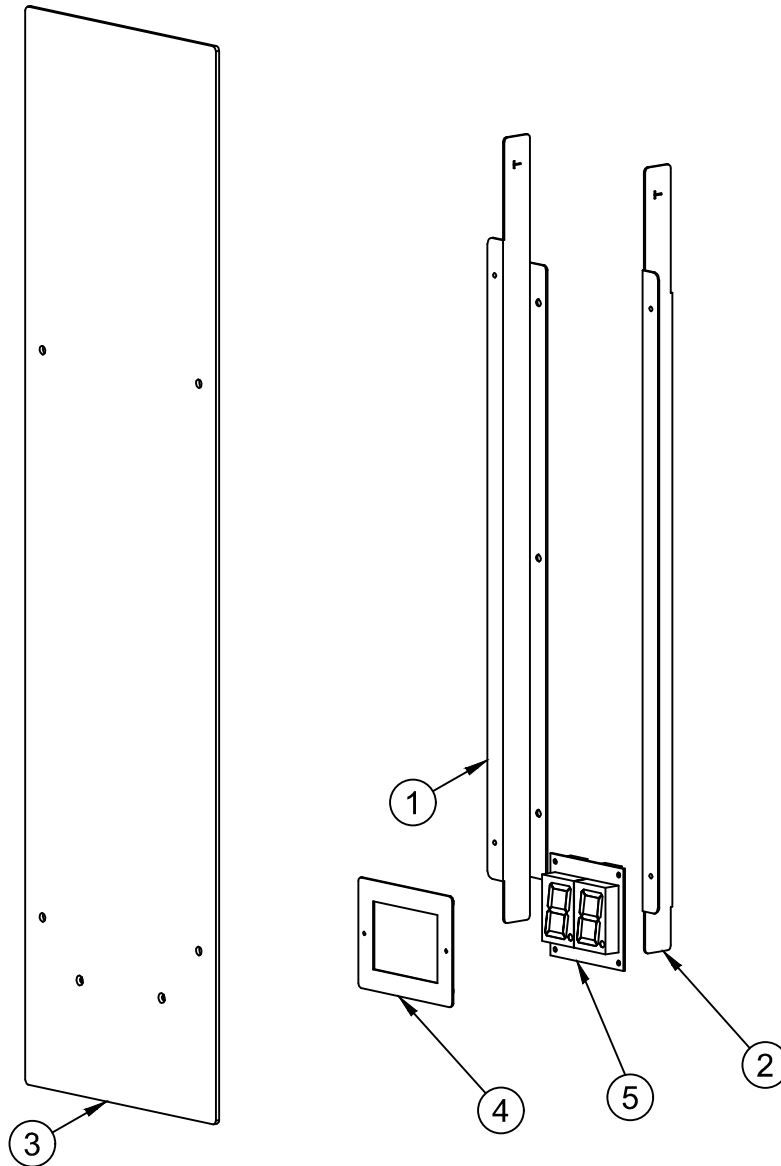
NO.	Code Number	QUANTITY	PART NAME	SPEC.
1	1911.BC.A00000700	6	BALL HOLE SENSOR BOARD Ass'y	TCRT5000
2	1911.WJ.10003700	1	LOW HOLE FRONT COVER Ass'y	ASSEMBLE (□□□□)
3	1911.YS.A0001700	4	LOW HOLE GUIDE ACRYL	RED CLEAR ACRYL - 15t (□□□□□□)
4	1911.YS.A0001800	2	LOW HOLE GUIDE SIDE ACRYL	RED CLEAR ACRYL - 15t (□□□□□□)
5	1911.YS.A0001000	1	LOW HOLE SCORE ACRYL	CLEAR ACRYL - 4.5t (□□□□□)
6	1911.WJ.13003601	1	LOW HOLE BASE BRKT	SPCC-1.2t

### 39. PASS RING Ass'y



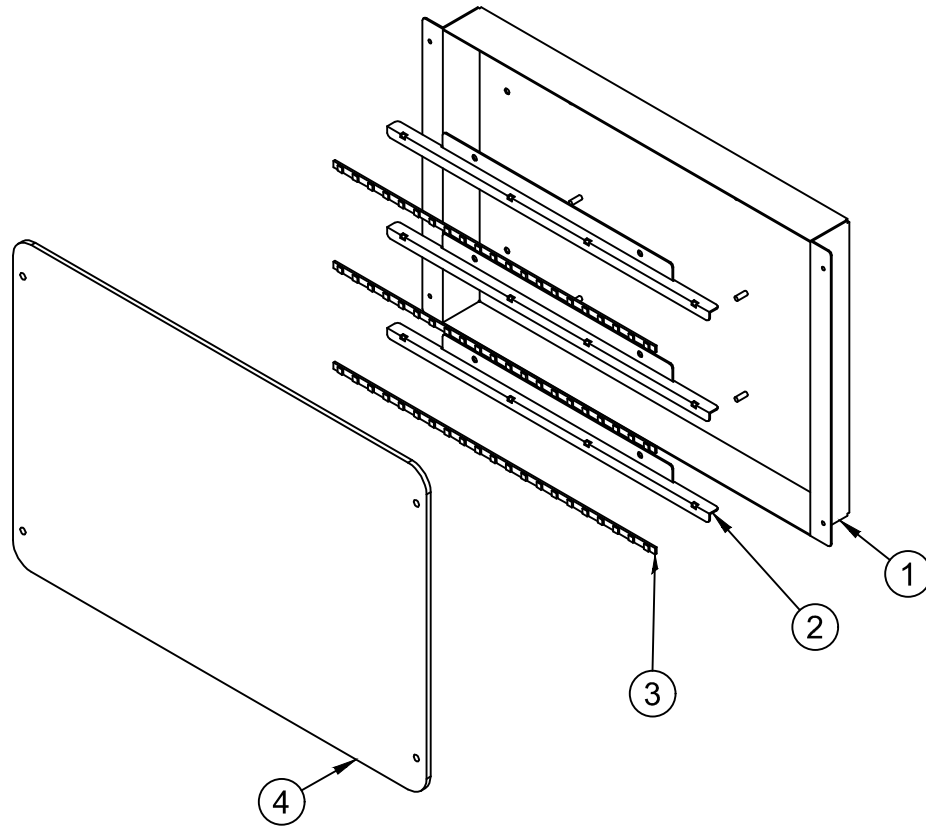
NO.	Code Number	QUANTITY	PART NAME	SPEC.
1	1911.WJ.10004700	1	PASS RING BASE BRKT	SPCC-1.2t
2	Code No.	2	PASS RING RECEIVE BOARD	KMSEN-1810-188A
3	Code No.	2	PASS RING SEND BOARD	KMSEN-1810-187A
4	1011.PJ.00002500	1	PASS RING FLEXIBLE	550-1/3-50L-33LED (R.G.B)
5	1911.WJ.10004600	1	PASS RING COVER BRKT	SPCC-1.2t
6	1911.YS.A0003100	1	PASS RING ACRYL	WHITE LIGHT ACRYL-15.0t (□□□□)

### 31. MINI BOUNS GAME Ass'y



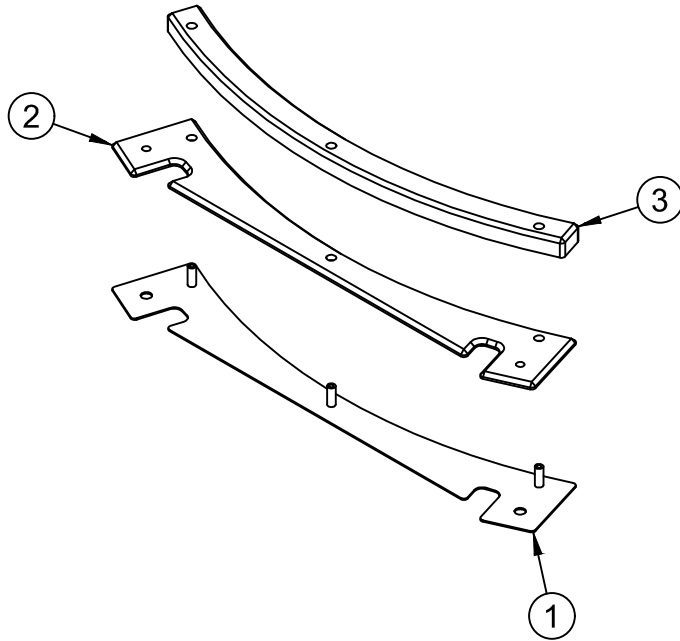
NO.	Code Number	QUANTITY	PART NAME	SPEC.
1	1911.WJ.10004300	1	MINI GAME Ass'y FIX BRKT_mir	SPCC-1.2t
2	1911.WJ.10004400	1	MINI GAME Ass'y FIX BRKT	SPCC-1.2t
3	1911.YS.C0000500	1	Grand Prize Gaming PC	CLEAR ACRYL-3.0t(□□□□□)
4	1911.WJ.13004200	1	Display plate fixed plate A	SPCC-1.2t
5	Code No.	1	CREDIT FND	KMCF1017-2A

### 32. TOP ROTATE VACCUM Ass'y



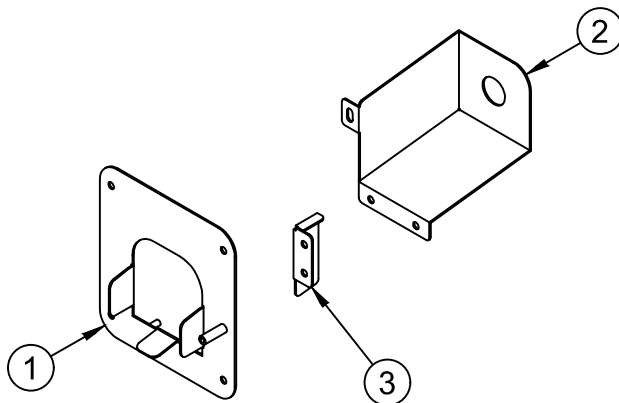
NO.	Code Number	QUANTITY	PART NAME	SPEC.
1	1911.WJ.13006500	1	Top light box	SPCC-1.2t
2	1911.WJ.13006600	3	Top light bracket	SPCC-1.2t
3	1911.PJ.50506D350	3	LED strip	FW-5050WHITE-60RWD 长350MM
4	1911.YS.C0005000	1	TOP ROTATE VACCUM FIX BRKT B	Milk white acrylic-4.5t

### 33. MAIN CABINET CENTER COVER Ass'y



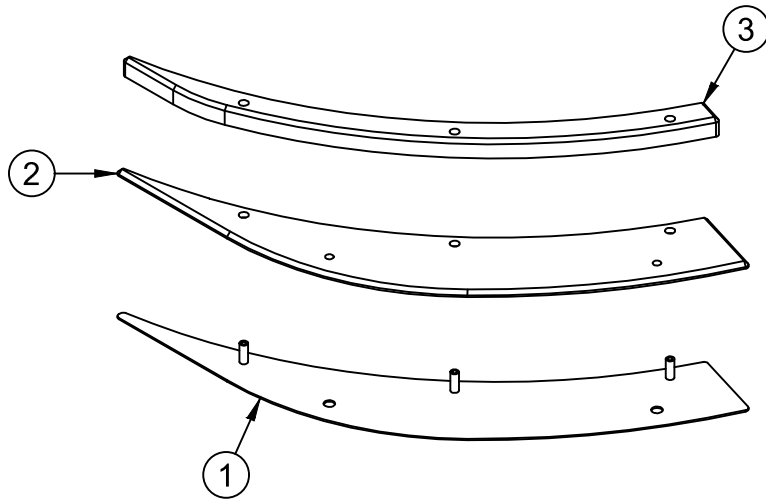
NO.	Code Number	QUANTITY	PART NAME	SPEC.
1	1911.WJ.10004800	1	MAIN CABINET CENTER COVER BRKT	SPCC-1.2t
2	1911.YS.A0002100	1	MAIN CABINET CENTER COVER ACRYL	RED CLEAR ACRYL - 4.5t (□□□□□□)
3	1911.YS.A0002500	1	WINDOW FRAME PC ACRYL OUT GUIDE A	RED CLEAR ACRYL - 15t (□□□□□□)

### 34. TOP VACCUM BALL ENTER COVER Ass'y



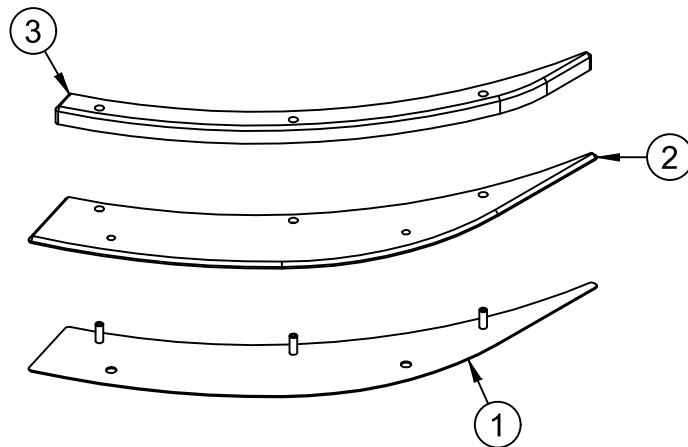
NO.	Code Number	QUANTITY	PART NAME	SPEC.
1	1911.WJ.13006900	1	TOP VACCUM BALL ENTER COVER BRKT	SPCC-1.2t
2	1911.WJ.10007000	1	TOP VACCUM BALL ENTER GUIDE BRKT	SPCC-1.2t
3	1911.WJ.10006800	1	TOP ROTATE BALL BACK BLOCK BRKT	SPCC-1.2t

### 35. MAIN CABINET SIDE COVER Ass'y



NO.	Code Number	QUANTITY	PART NAME	SPEC.
1	1911.WJ.10003400	1	MAIN CABINET SIDE COVER BRKT	SPCC-1.2t
2	1911.YS.00004300	1	MAIN CABINET SIDE COVER ACRYL	RED CLEAR ACRYL - 4.5t (□□□□□□)
3	1911.YS.A0002600	1	WINDOW FRAME PC ACRYL OUT GUIDE B	RED CLEAR ACRYL - 15t (□□□□□□)

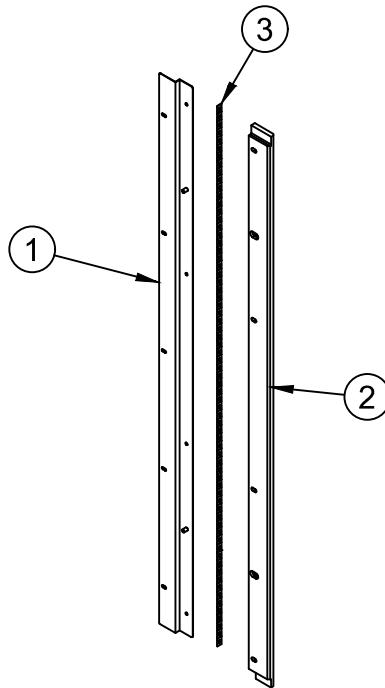
### 36. MAIN CABINET SIDE COVER Ass'y \_mir



NO.	Code Number	QUANTITY	PART NAME	SPEC.
1	1911.WJ.10003500	1	MAIN CABINET SIDE COVER BRKT_mir	SPCC-1.2t
2	1911.YS.A0002300	1	MAIN CABINET SIDE COVER ACRYL_mir	RED CLEAR ACRYL - 4.5t (□□□□□□)
3	1911.YS.A0002700	1	WINDOW FRAME PC ACRYL OUT GUIDE B_mir	RED CLEAR ACRYL - 15t (□□□□□□)

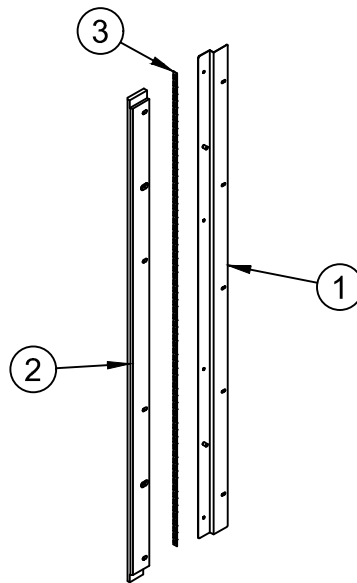


### 37. MAIN CABINET SIDE LIGHT ACRYL Ass'y



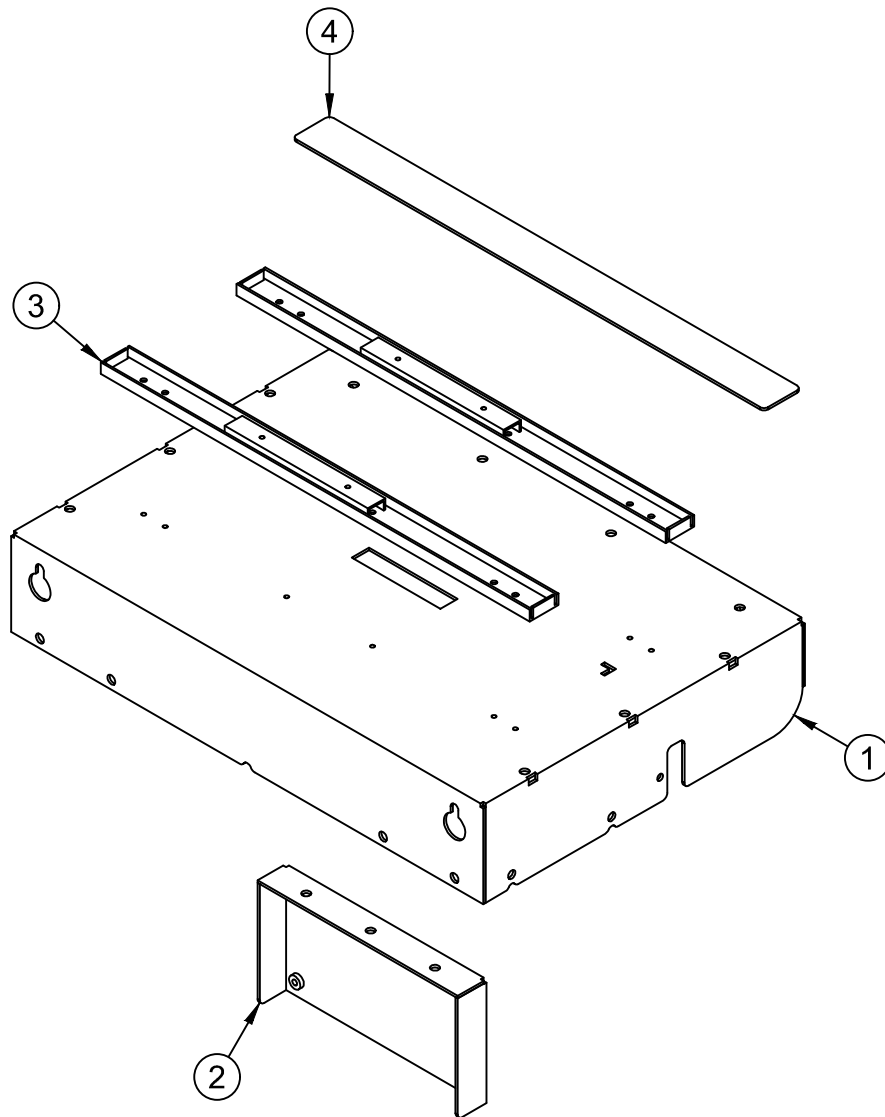
NO.	Code Number	QUANTITY	PART NAME	SPEC.
1	1911.WJ.10003300	1	MAIN CABINET PC ACRYL FIX OUT BRKT	SPCC-1.2t
2	1911.YS.A0002900	1	MAIN CABINET SIDE UPPER ACRYL	WHITE LIGHT ACRYL-15.0t (□□□□)
3	1911.PJ.281261150	1	MAIN CABINET SIDE ACRYL FLEXIBLE	1145.4-1/1-16.6L-69 LED S

### 38. MAIN CABINET SIDE LIGHT ACRYL Ass'y\_mir



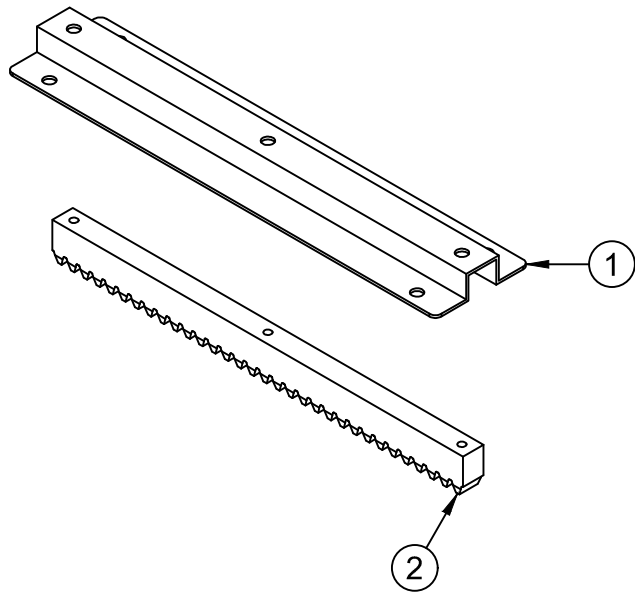
NO.	Code Number	QUANTITY	PART NAME	SPEC.
1	1911.WJ.10003300	1	MAIN CABINET PC ACRYL FIX OUT BRKT	SPCC-1.2t
2	1911.YS.A0003000	1	MAIN CABINET SIDE UPPER ACRYL_mir	WHITE LIGHT ACRYL-15.0t (□□□□)
3	1911.PJ.281261150	1	MAIN CABINET SIDE ACRYL FLEXIBLE	1145.4-1/1-16.6L-69 LED S

# 40. RING FIX BASE BOTTOM Ass'y



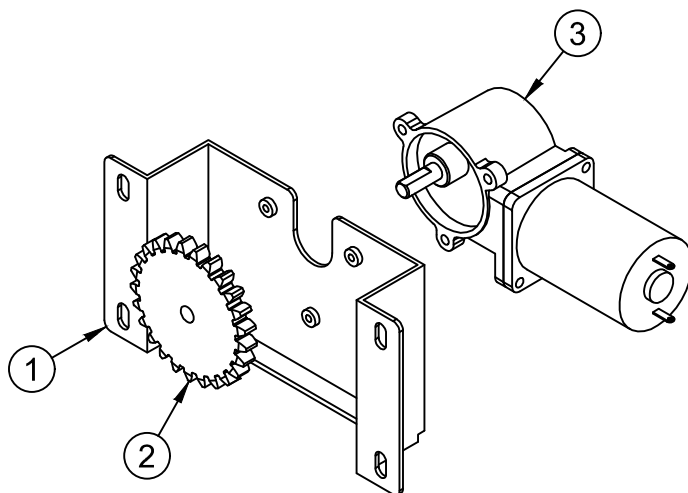
NO.	Code Number	QUANTITY	PART NAME	SPEC.
1	1911.WJ.10005300	1	RING FIX BASE WELD Ass'y	WELD Ass'y (□□□)
2	1911.WJ.10004900	1	MOTOR Ass'y FIX BRKT	SPCC-1.6t
3	Code No.	2	LINEAR MOTION SLIDE 2011-300	SANGIN 2011-300
4	1911.WJ.10005200	1	REAR BEARING BOTTOM BASE BRKT	SUS304 -1.5 t

## 41. RACK GEAR Ass'y



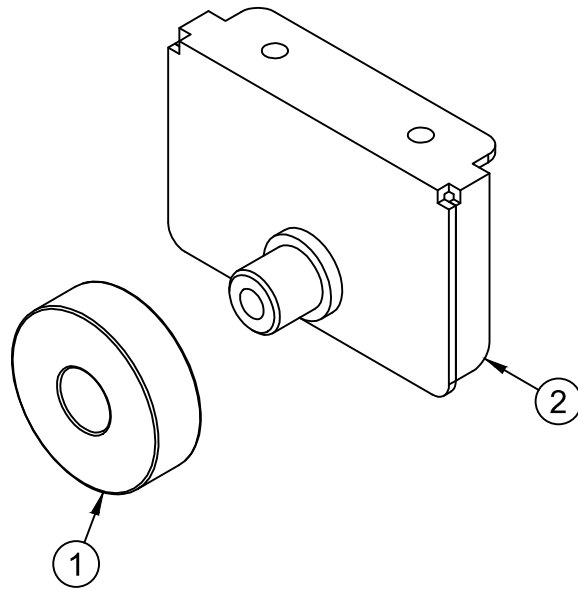
NO.	Code Number	QUANTITY	PART NAME	SPEC.
1	1911.WJ.10005100	1	RACK SUPPORT BRKT	SPCC-1.2t
2	1911.WJ.00014200	1	PRIZE PUSHER RACK GEAR	AL (□□□□)

## 42. MOTOR Ass'y



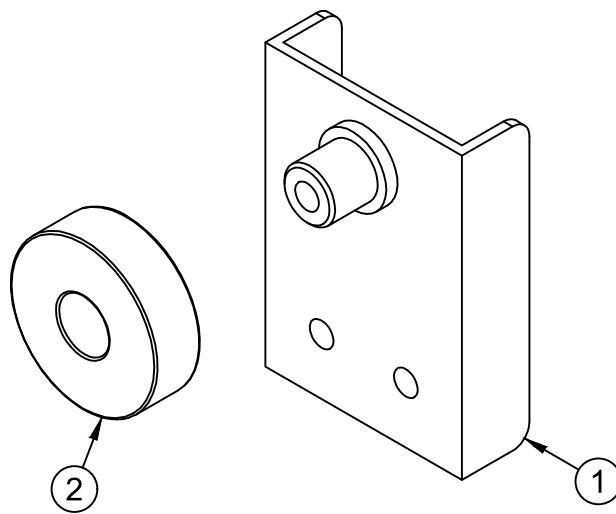
NO.	Code Number	QUANTITY	PART NAME	SPEC.
1	1911.WJ.10005000	1	MOTOR SUPPORT BRKT	SPCC-1.6t
2	1911.WJ.00000900	1	PRIZE PUSHER MOTOR GEAR	AL (□□□□)
3	1911.JD.000000100	1	KWC-3448	1/30

### 43. SLIDE RING BEARING FRONT Ass'y



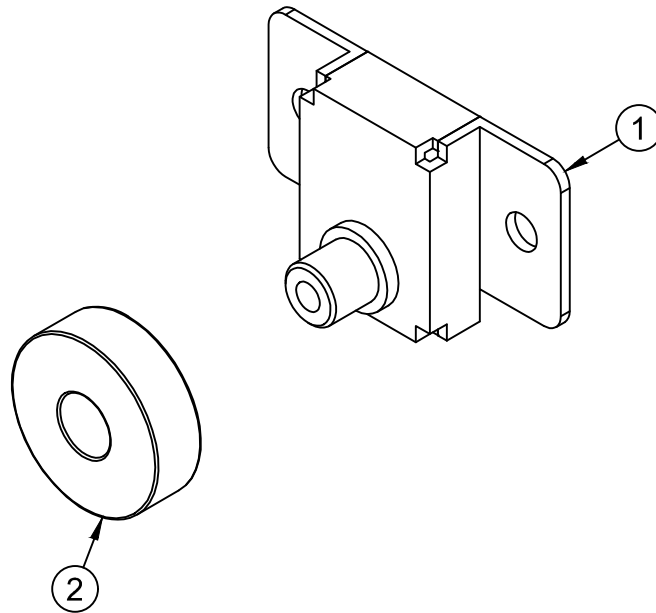
NO.	Code Number	QUANTITY	PART NAME	SPEC.
1	0000.PJ.56290ZZ00	1	BEARING 629	BEARING 629
2	1911.WJ.10006200	1	RING SLIDE FRONT BEARING WELD Ass'y	WELD Ass'y (□□□)

### 44. SLIDE BEARING REAR TOP Ass'y



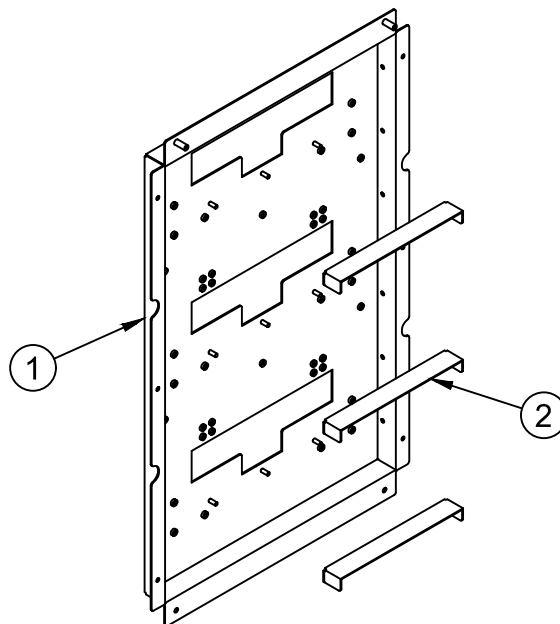
NO.	QUANTITY	PART NAME	SPEC.	
1	1911.WJ.10006000	1	SLIDE BEARING REAR TOP WELD Ass'y	WELD Ass'y (□□□)
2	0000.PJ.56290ZZ00	1	BEARING 629	BEARING 629

#### 45. RING SLIDE BOTTOM BEARING Ass'y



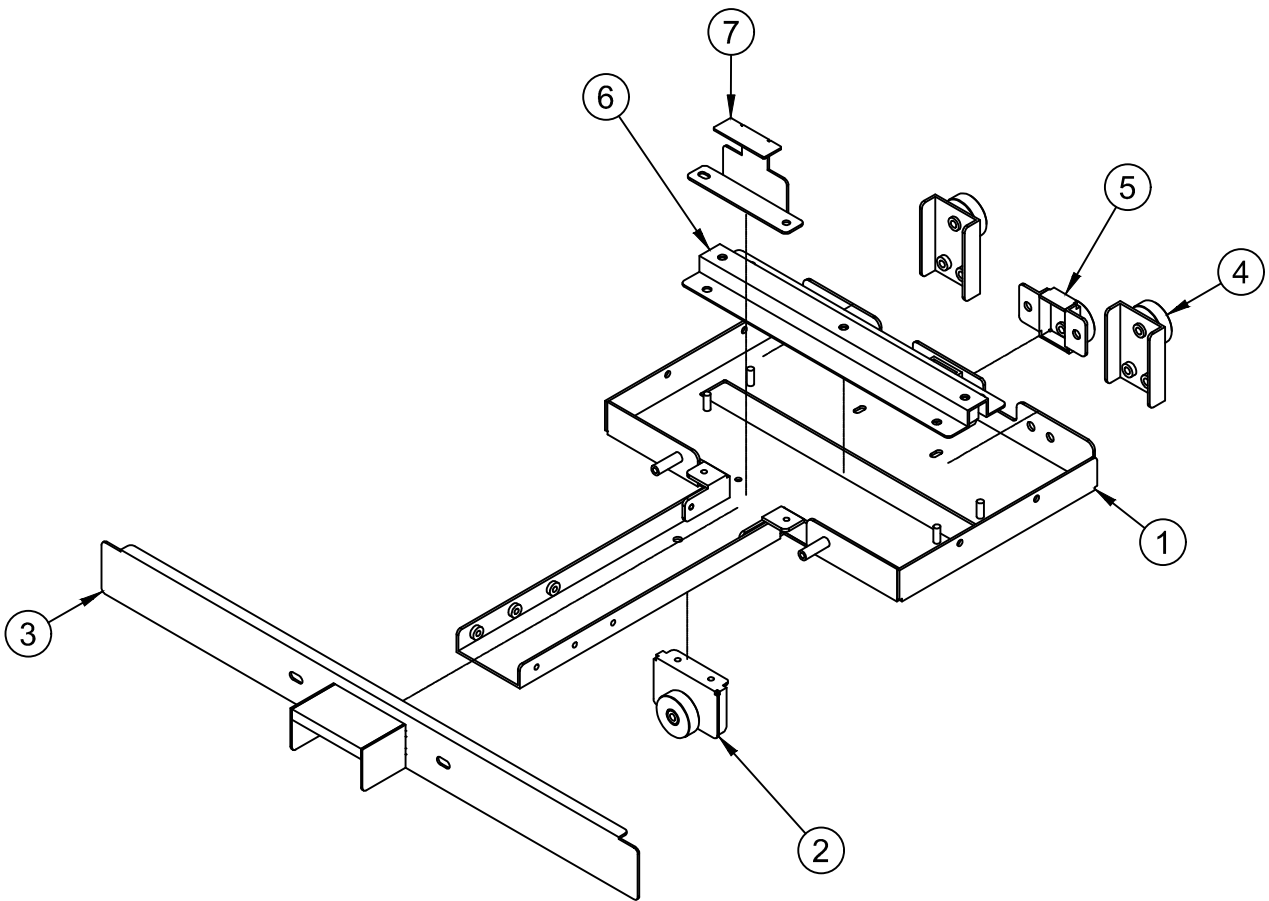
NO.	Code Number	QUANTITY	PART NAME	SPEC.
1	1911.WJ.10006100	1	RING SLIDE BOTTOM BEARING WELD Ass'y	WELD Ass'y (□□□)
2	0000.PJ.56290ZZ00	1	BEARING 629	BEARING 629

#### 46. RING OPERATIONG BASE FIX Ass'y



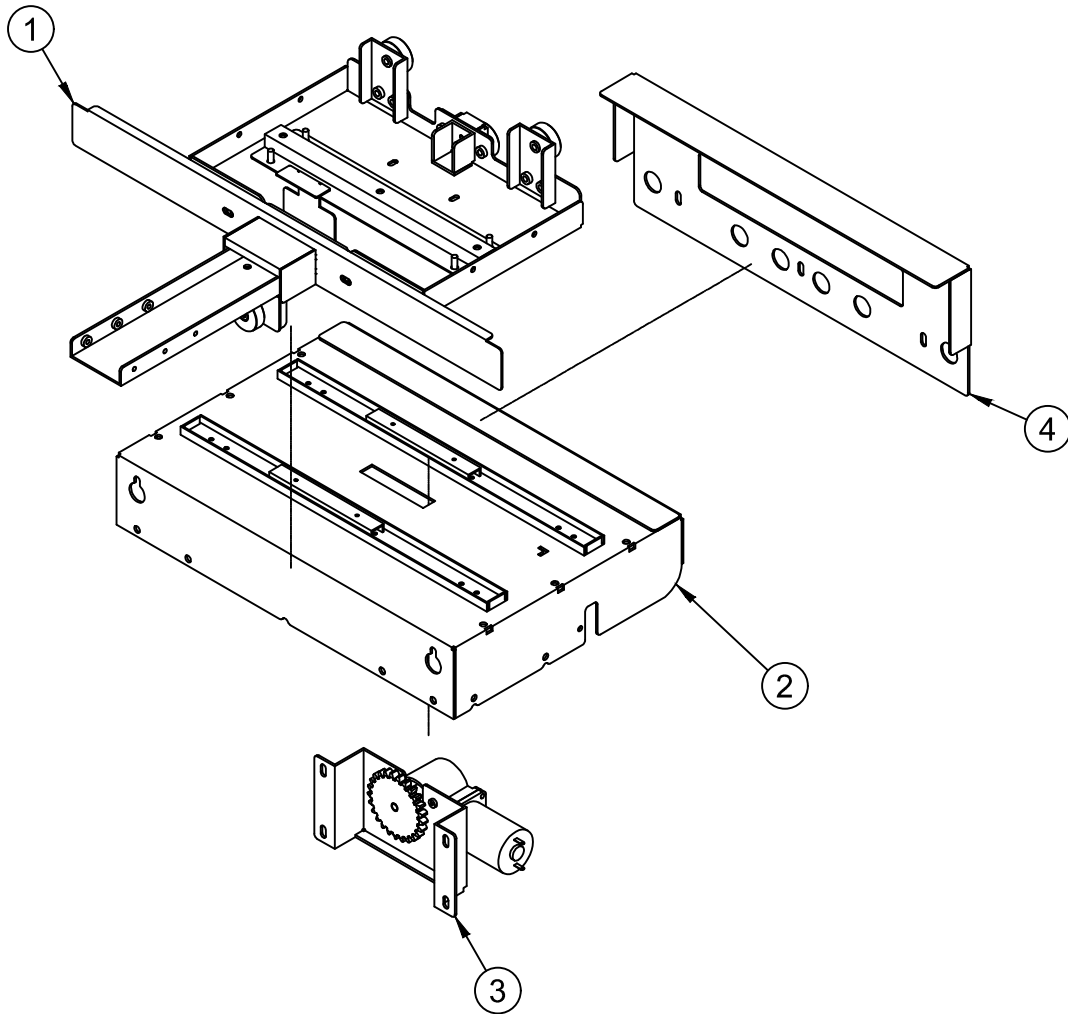
NO.	Code Number	QUANTITY	PART NAME	SPEC.
1	1911.WJ.10005400	1	RING OPERATION Ass'y BASE BRKT	SPCC-1.6t
2	1911.WJ.10006300	3	RING SLIDE FRONT BEARING GUIDE BRKT	SUS304 -1.5 t

## 47. RING FIX SLIDE BASE Ass'y



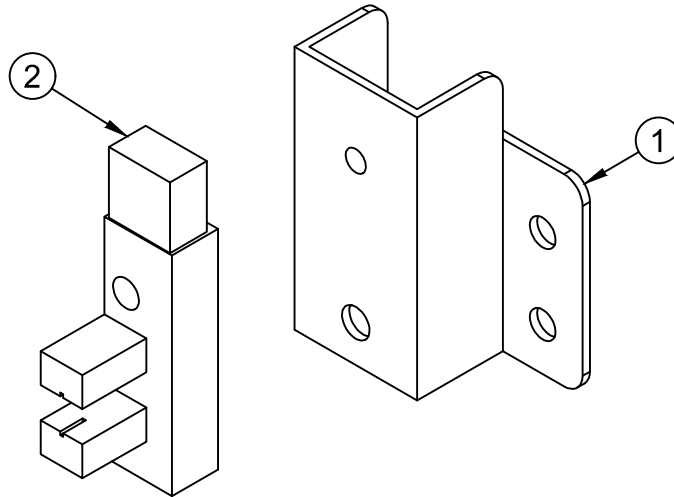
NO.	Code Number	QUANTITY	PART NAME	SPEC.
1	1911.WJ.10005600	1	RING FIX SLIDE WELD Ass'y	WELD Ass'y (□□□)
2	1911.WJ.10006200	1	SLIDE RING BEARING FRONT Ass'y	ASSEMBLE (□□□)
3	1911.WJ.10005500	1	RING SLIDE COVER WELD Ass'y	WELD Ass'y (□□□)
4	1911.WJ.10006000	2	SLIDE BEARING REAR TOP Ass'y	ASSEMBLE (□□□)
5	1911.WJ.10006100	1	RING SLIDE BOTTOM BEARING Ass'y	ASSEMBLE (□□□)
6	1911.WJ.10005100	1	RACK GEAR Ass'y	ASSEMBLE (□□□)
7	1911.WJ.10005700	1	SENSOR CHECK BRKT	SPCC-1.2t

## 48. RING SLIDE OPERATION Ass'y



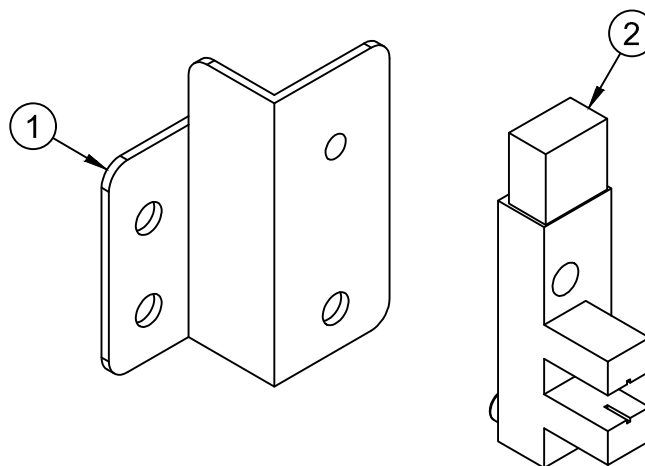
NO.	Code Number	QUANTITY	PART NAME	SPEC.
1	1911.WJ.10005500	1	RING FIX SLIDE BASE Ass'y	ASSEMBLE (□□□)
2	1911.WJ.10005300	1	RING FIX BASE BOTTOM Ass'y	ASSEMBLE (□□□)
3	1911.WJ.10005000	1	MOTOR Ass'y	ASSEMBLE (□□□)
4	1911.WJ.10006400	1	RING SLIDE REAR BEARING SUPPORT BRKT	SUS304 -1.5 t

### 49. RING SENSOR Ass'y



NO.	Code Number	QUANTITY	PART NAME	SPEC.
1	1911.WJ.10005900	1	SENSOR SUPPROT BRKT	SPCC-1.2t
2	1507.DZ.07000343	1	LG217 SENSOR	LG-217

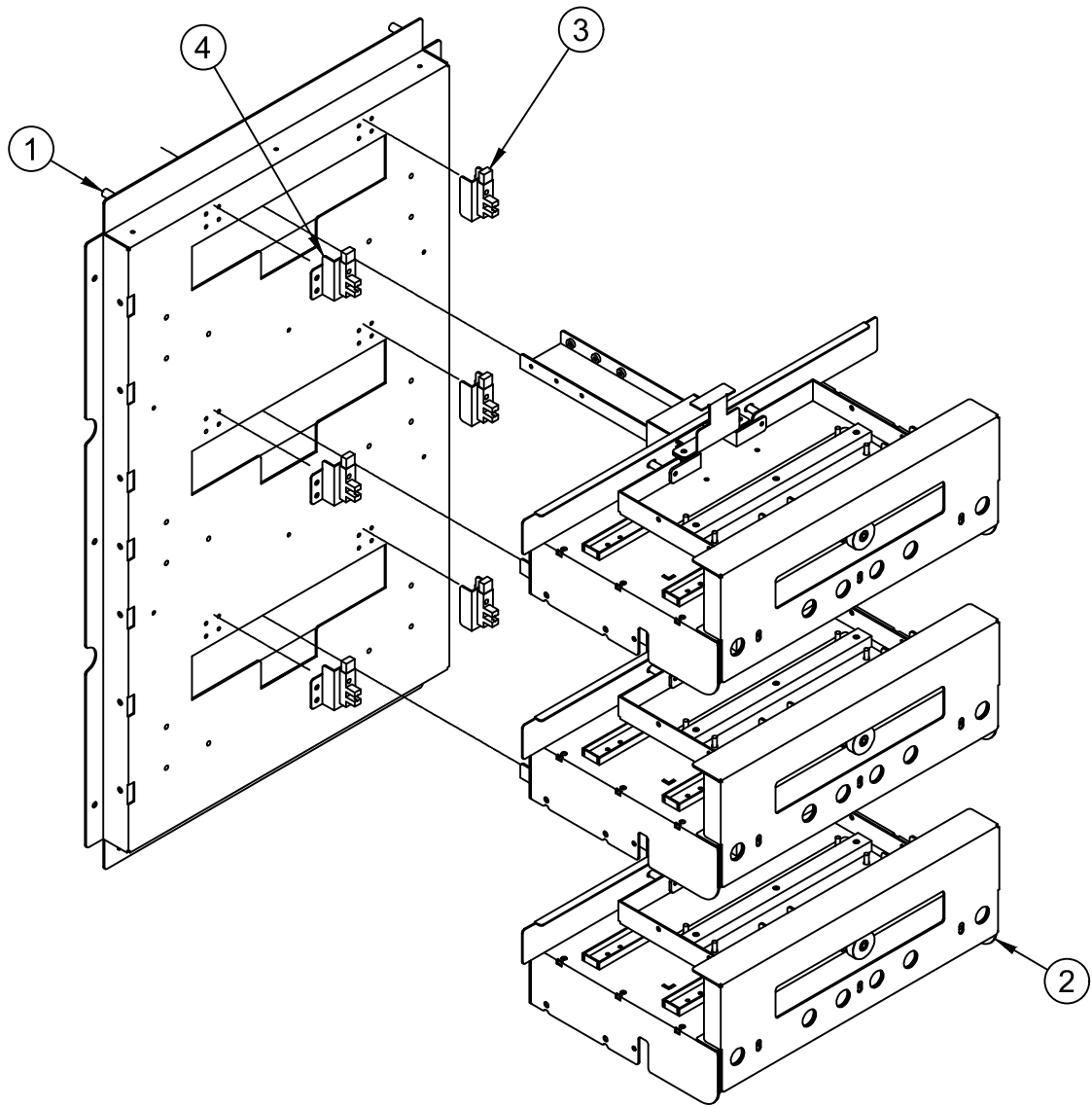
### 50. RING SENSOR Ass'y\_mir



NO.	Code Number	QUANTITY	PART NAME	SPEC.
1	1911.WJ.10005800	1	SENSOR SUPPROT BRKT_mir	SPCC-1.2t
2	1507.DZ.07000343	1	LG217 SENSOR	LG-217

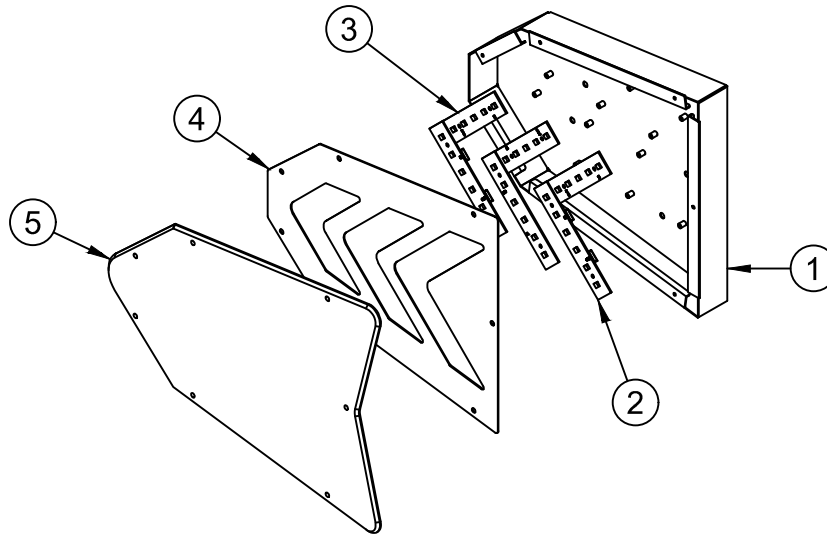


# 51. RING OPERATION BASE Ass'y



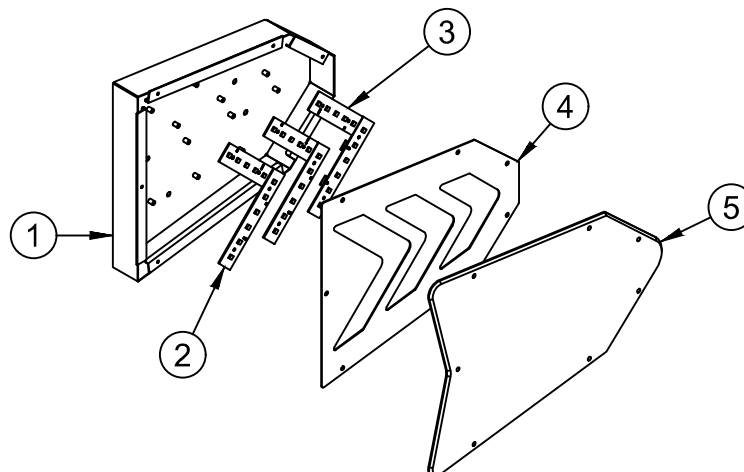
NO.	Code Number	QUANTITY	PART NAME	SPEC.
1	1911.WJ.10005400	1	RING OPERATIONG BASE FIX Ass'y	ASSEMBLE (□□□)
2	1911.WJ.10006400	3	RING SLIDE OPERATION Ass'y	ASSEMBLE (□□□)
3	1911.WJ.10005900	3	RING SENSOR Ass'y	ASSEMBLE (□□□)
4	1911.WJ.10005800	3	RING SENSOR Ass'y_mir	ASSEMBLE (□□□)

## 52. BILLBOARD SIDE ARROW Ass'y



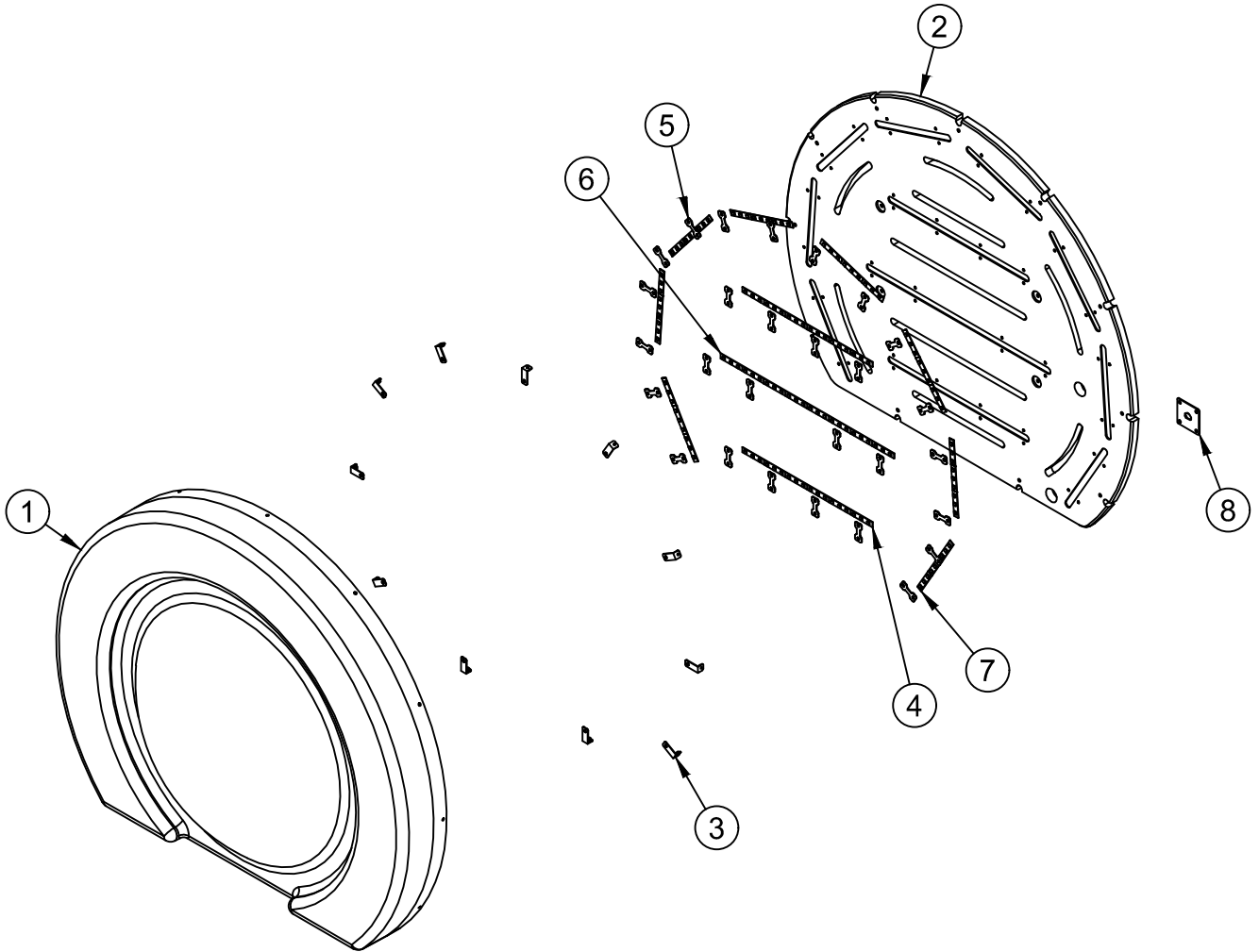
NO.	Code Number	QUANTITY	PART NAME	SPEC.
1	1911.WJ.10012900	1	BILLBOARD SIDE ARROW WELD Ass'y	WELD Ass'y (□□□)
2	1911.BC.A00000600	3	BILLBOARD SIDE ARROW LIGHT BOARD (LONG)	WHITE
3	1911.BC.A00000500	3	BILLBOARD SIDE ARROW LIGHT BOARD (SHORT)	WHITE
4	1911.WJ.10013000	1	BILLBOARD SIDE ARROW COVER BRKT	SPCC-1.2t
5	1911.YS.A0000200	1	BILLBOARD SIDE ARROW COVER ACRYL	CLEAR ACRYL-4.5t(□□□□□)

## 53. BILLBOARD SIDE ARROW Ass'y\_mir



NO.	Code Number	QUANTITY	PART NAME	SPEC.
1	1911.WJ.10012800	1	BILLBOARD SIDE ARROW WELD Ass'y_mir	WELD Ass'y (□□□)
2	1911.BC.A00000600	3	BILLBOARD SIDE ARROW LIGHT BOARD (LONG)	WHITE
3	1911.BC.A00000500	3	BILLBOARD SIDE ARROW LIGHT BOARD (SHORT)	WHITE
4	1911.WJ.10013000	1	BILLBOARD SIDE ARROW COVER BRKT	SPCC-1.2t
5	1911.YS.A0000100	1	BILLBOARD SIDE ARROW COVER ACRYL	CLEAR ACRYL-4.5t(□□□□□)

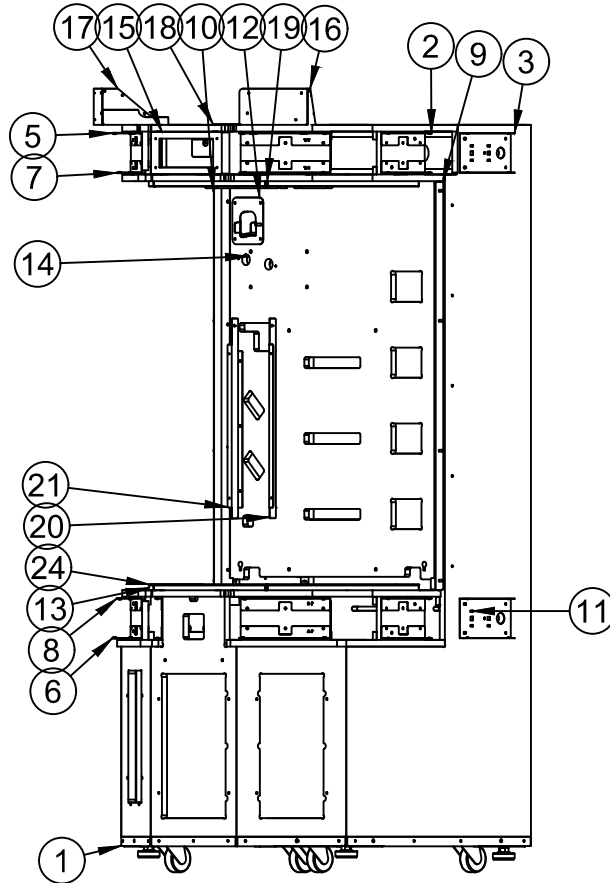
# 54. BILLBOARD Ass'y



NO.	Code Number	QUANTITY	PART NAME	SPEC.
1	1911.SJ.B0003400	1	SYNC PONG BILLBOARD VACCUM	CLEARACRYL (□□□□□) - 6t
2	1911.BC.000000200	1	BILLBOARD BASE WOOD PANNEL	PW-15t
3	1911.WJ.10013400	11	BILLBOARD VACCUM FIX BRKT	GI-1.2t
4	1910.PJ.50506D300	2	BILLBOARD CENTER FLEXIBLE (300mm)	300-1/3-50L-18LED (WHITE)
5	Code No.	28	FLEXIBLE LED WOOD FIXED BKT	GI-1.2t
6	1911.PJ.50506D400	1	BILLBOARD CENTER FLEXILBE (400mm)	400-1/3-50L-24LED (WHITE)
7	1911.PJ.50506D150	8	BILLBOARD OUTSIDE FLEXILBE (150mm)	150-1/3-50L-9LED (WHITE)
8	1911.WJ.10013500	1	BILLBOARD 4P CONNECTOR	SPCC-1.6t

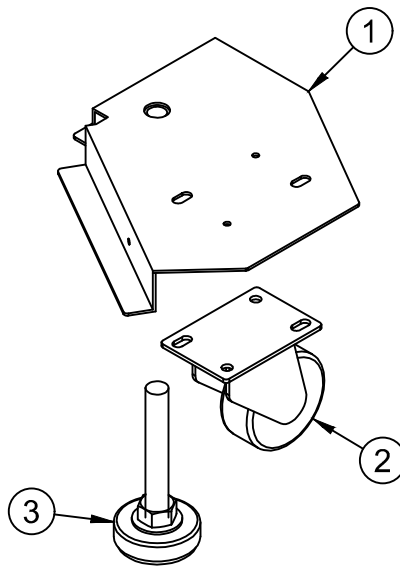
# 1-1.MAIN CABINET Ass'y

Code No.



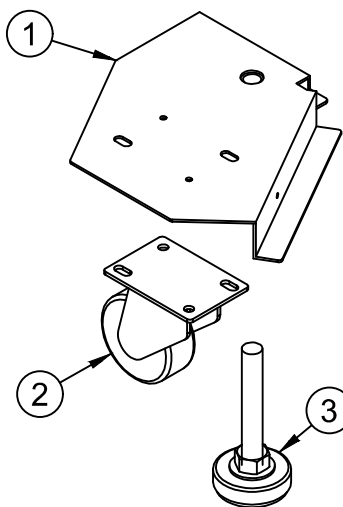
NO.	Code Number	QUANTITY	PART NAME	SPEC.
1	1911.WJ.10001500	1	MAIN WOOD METAL CABINET Ass'y	ASSEMBLE (□□□)
2	1911.WJ.10003200	8	MAIN CABINET SIDE VACCUM FIX BRKT C	SPCC-1.2t
3	1911.WJ.10002700	2	MAIN CABINET VACCUM REAR FIX BRKT - R	SPCC-1.2t
5	1911.WJ.10002900	2	MAIN CABINET SIDE VACCUM FIX BRKT-AR	SPCC-1.2t
6	1911.WJ.10002800	2	MAIN CABINET SIDE VACCUM FIX BRKT-AL	SPCC-1.2t
7	1911.WJ.10003100	2	MAIN CABINET SIDE VACCUM FIX BRKT-BR	SPCC-1.2t
8	1911.WJ.10003000	2	MAIN CABINET SIDE VACCUM FIX BRKT-BL	SPCC-1.2t
9	1911.WJ.10003900	1	MAIN CABINET SIDE FLEXIBLE FIX BRKT	SPCC-1.6t
10	1911.WJ.10003800	1	MAIN CABINET SIDE FLEXIBLE FIX BRKT_mir	SPCC-1.6t
11	1911.WJ.10011500	2	LOW GAME PAN SIDE FIX BRKT	SPCC-2t
12	1911.WJ.13006900	1	TOP VACCUM BALL ENTER COVER Ass'y	ASSEMBLE (□□□)
13	1911.YS.A0002400	6	WINDOW FRAME PC ACRYL INNER GUIDE A	RED CLEAR ACRYL -
14	1911.WJ.13008300	1	ELEVATOR TOP SUPPORT BASE BRKT	SPCC-2t
15	1911.WJ.10012700	1	BONUS FND FIX BASE BRKT	SPCC-1.6t
16	1911.WJ.10013200	1	BILLBOARD SIDE ARROW Ass'y FIX BRKT - R	SPCC-1.6t
17	1911.WJ.10013100	1	BILLBOARD SIDE ARROW Ass'y FIX BRKT - L	SPCC-1.6t
18	1911.WJ.10008200	1	MAIN CABINET TOP HOLE COVER BRKT	SPCC-1.6t
19	1911.WJ.13006700	4	TOP ROTATE VACCUM FLEXIBLE FIX BRKT	SPCC-1.2t
20	1911.WJ.10004400	1	MINI GAME Ass'y FIX BRKT	SPCC-1.2t
21	1911.WJ.10004300	1	MINI GAME Ass'y FIX BRKT_mir	SPCC-1.2t

## 55. CASTER ANGLE Ass'y



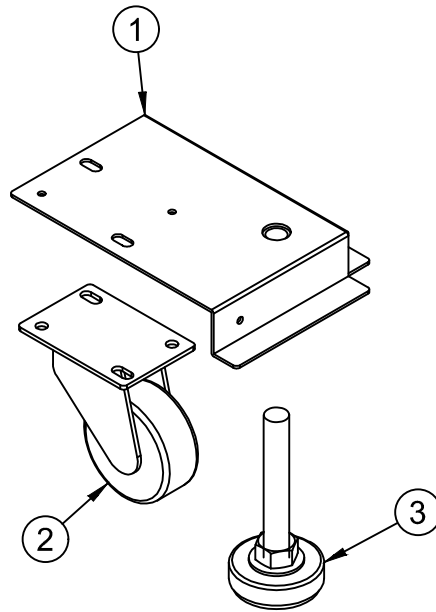
NO.	Code Number	QUANTITY	PART NAME	SPEC.
1	1911.WJ.10001100	1	CASTER ANGLE BKT WELD Ass'y	WELD Ass'y (□□□)
2	0000.PJ.13000405	1	caster- 3inch	3inch
3	0000.PJ.631161200	1	ADJUSTER (PV-100-60)	(PV-100-60)

## 56. CASTER ANGLE Ass'y\_mir



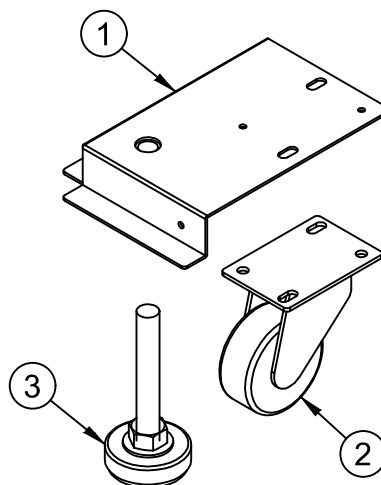
NO.	Code Number	QUANTITY	PART NAME	SPEC.
1	1911.WJ.10001000	1	CASTER ANGLE BKT WELD Ass'y_mir	WELD Ass'y (□□□)
2	0000.PJ.13000405	1	caster- 3inch_mir	3inch
3	0000.PJ.631161200	1	ADJUSTER (PV-100-60)	(PV-100-60)

## 57. CASTER Ass'y



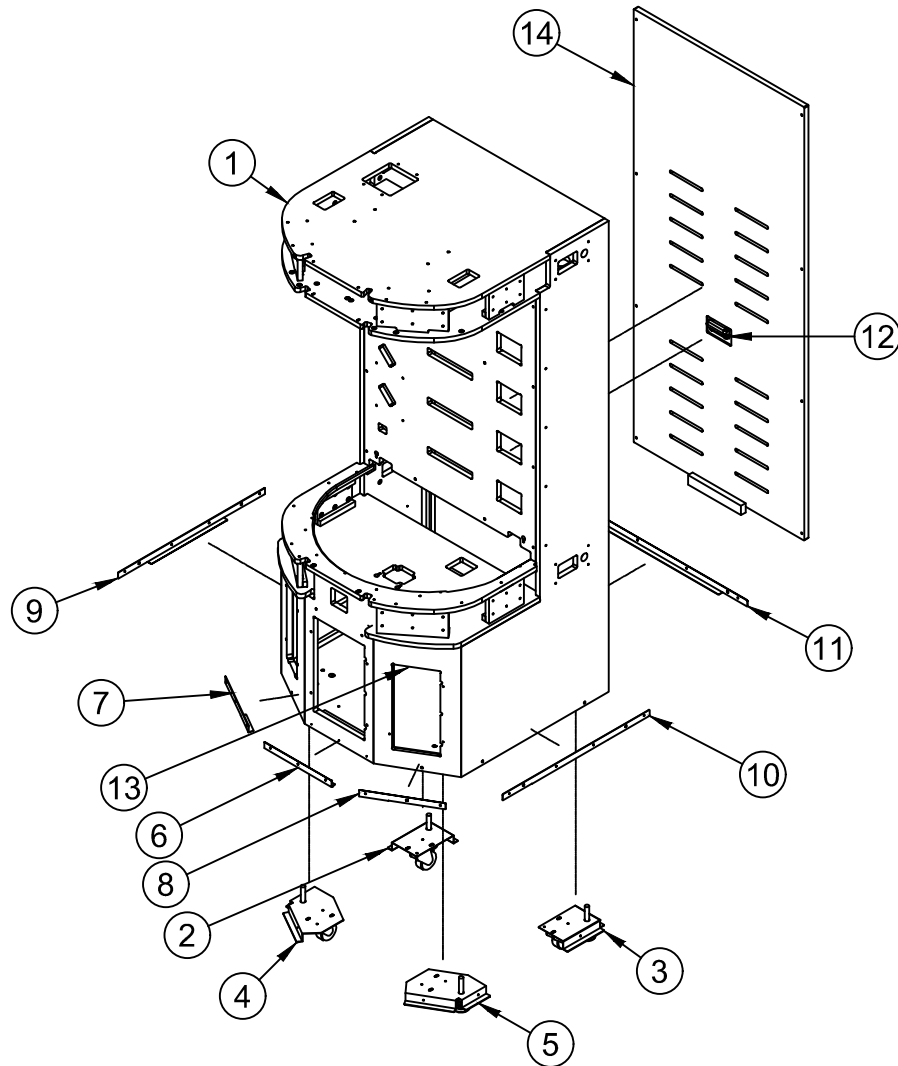
NO.	Code Number	QUANTITY	PART NAME	SPEC.
1	1911.WJ.10001200	1	CASTER BKT WELD Ass'y	WELD Ass'y (□□□)
2	0000.PJ.13000405	1	caster-3inch	3inch
3	0000.PJ.631161200	1	ADJUSTER (PV-100-60)	(PV-100-60)

## 58. CASTER Ass'y\_mir



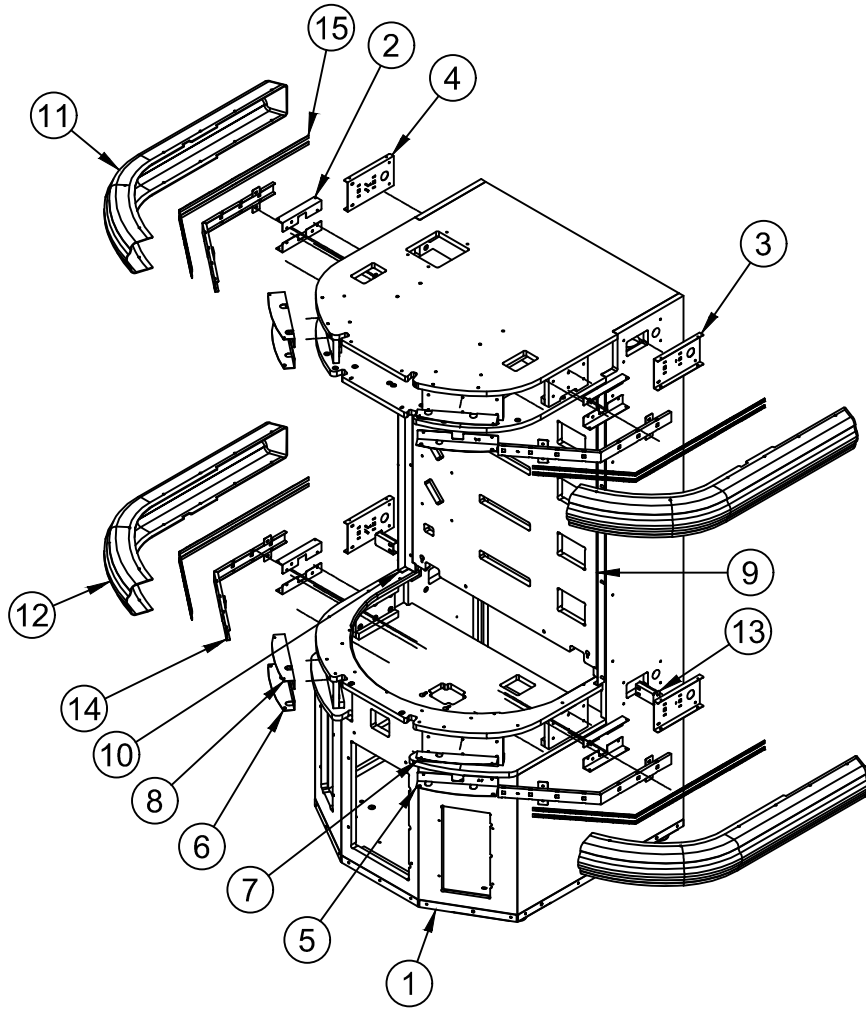
NO.	Code Number	QUANTITY	PART NAME	SPEC.
1	1911.WJ.10001300	1	CASTER BKT WELD Ass'y_mir	WELD Ass'y (□□□)
2	0000.PJ.13000405	1	caster-3inch_mir	3inch
3	0000.PJ.631161200	1	ADJUSTER (PV-100-60)	(PV-100-60)

## 59. MAIN WOOD METAL CABINET Ass'y



NO.	Code Number	QUANTITY	PART NAME	SPEC.
1	1911.BC.000000200	1	MAIN WOOD CABINET Ass'y	ASSEMBLE (□□□)
2	1911.WJ.10001200	1	CASTER Ass'y	ASSEMBLE (□□□)
3	1911.WJ.10001300	1	CASTER Ass'y_mir	ASSEMBLE (□□□)
4	1911.WJ.10001100	1	CASTER ANGLE Ass'y	ASSEMBLE (□□□)
5	1911.WJ.10001000	1	CASTER ANGLE Ass'y_mir	ASSEMBLE (□□□)
6	1911.WJ.10001400	1	FRONT BENDING	SPCC-1.2t
7	1911.WJ.10001500	1	FRONT SIDE BENDING	SPCC-1.2t
8	1911.WJ.10001600	1	FRONT SIDE BENDING_mir	SPCC-1.2t
9	1911.WJ.10001700	1	MAIN SIDE BENDING	SPCC-1.2t
10	1911.WJ.10001800	1	MAIN SIDE BENDING_mir	SPCC-1.2t
11	1911.WJ.10001900	1	MAIN BACK BENDING	SPCC-1.2t
12	0000.PJ.692710010	1	PLASTIC DRAWER PULLS	BLACK PLASTIC
13	0000.JD.5KSWZ4110	1	SPEAKER NET (Φ100)	SPEAKER NET (Φ100)
14	1911.BC.000000200	1	MAIN BACK DOOR PANEL.	MDF-20t

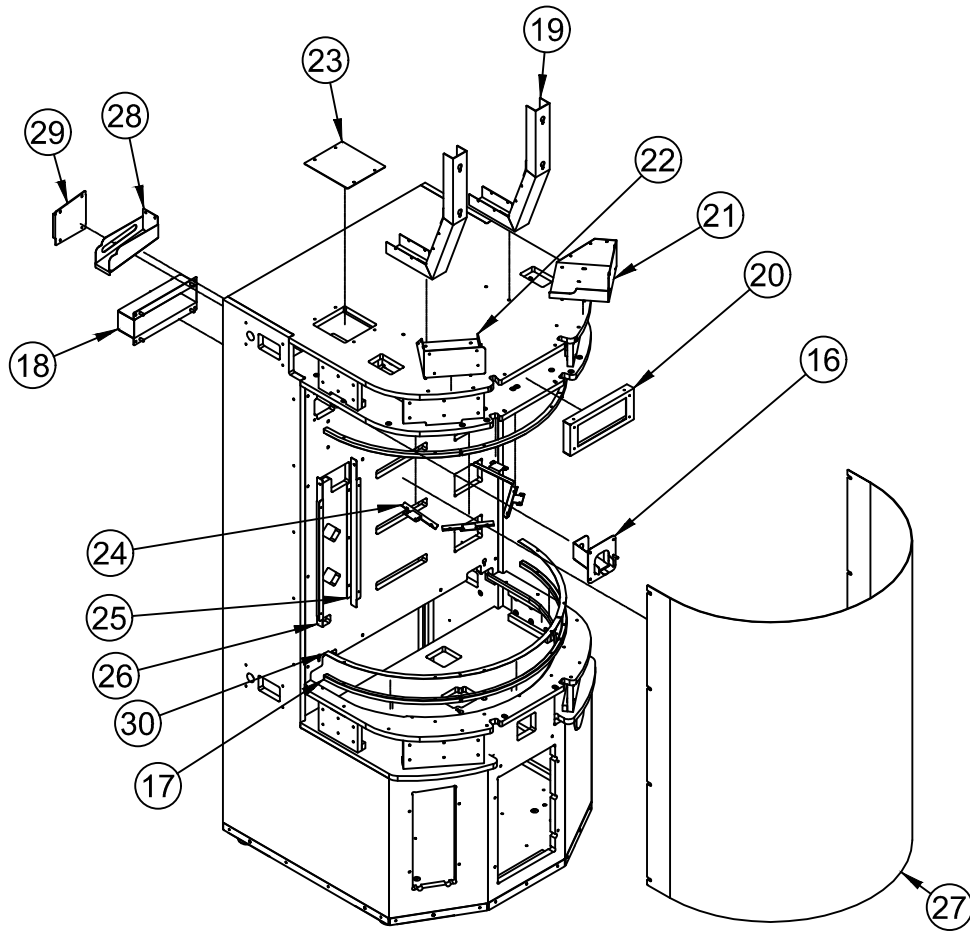
## 60. MAIN CABINET Ass'y



NO.	Code Number	QUANTITY	PART NAME	SPEC.
1	1911.WJ.10001600	1	MAIN WOOD METAL CABINET Ass'y	ASSEMBLE (□□□□)
2	1911.WJ.10003200	8	MAIN CABINET SIDE VACCUM FIX BRKT C	SPCC-1.2t
3	1911.WJ.10002700	2	MAIN CABINET VACCUM REAR FIX BRKT - R	SPCC-1.2t
4	1911.WJ.10002600	2	MAIN CABINET VACCUM REAR FIX BRKT - L	SPCC-1.2t
5	1911.WJ.10002900	2	MAIN CABINET SIDE VACCUM FIX BRKT-AR	SPCC-1.2t
6	1911.WJ.10002800	2	MAIN CABINET SIDE VACCUM FIX BRKT-AL	SPCC-1.2t
7	1911.WJ.10003100	2	MAIN CABINET SIDE VACCUM FIX BRKT-BR	SPCC-1.2t
8	1911.WJ.10003000	2	MAIN CABINET SIDE VACCUM FIX BRKT-BL	SPCC-1.2t
9	1911.WJ.10003900	1	MAIN CABINET SIDE FLEXIBLE FIX BRKT	SPCC-1.6t
10	1911.WJ.10003800	1	MAIN CABINET SIDE FLEXIBLE FIX BRKT_mir	SPCC-1.6t
11	1911.SJ.00003600	2	MAIN CABINET SIDE VACCUM	□□□□ PC - (□□□□ PC) - 6T
12	1911.SJ.00003700	2	MAIN CABINET SIDE VACCUM_mir	□□□□ PC - (□□□□ PC) - 6T
13	1911.WJ.10011500	2	LOW GAME PAN SIDE FIX BRKT	SPCC-2t
14	1911.WJ.10002500	4	MAIN CABINET SIDE FLEXIBLE ANGLE BRKT	SPCC-1.2t
15	1911.PJ.281260880	8	MAIN CABINET SIDE VACCUM FLEXIBLE	879.8-1/1-16.6L-53LED S

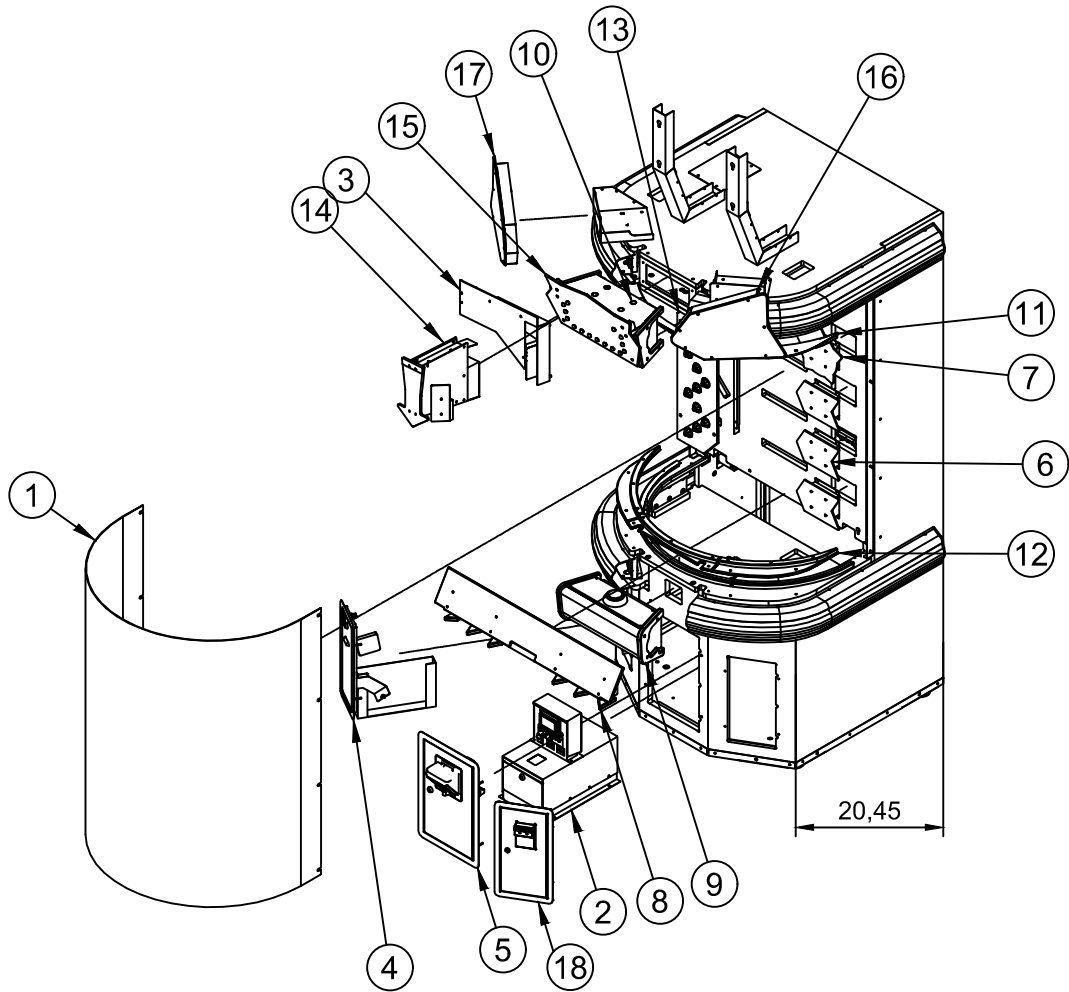


## 61. MAIN CABINET Ass'y



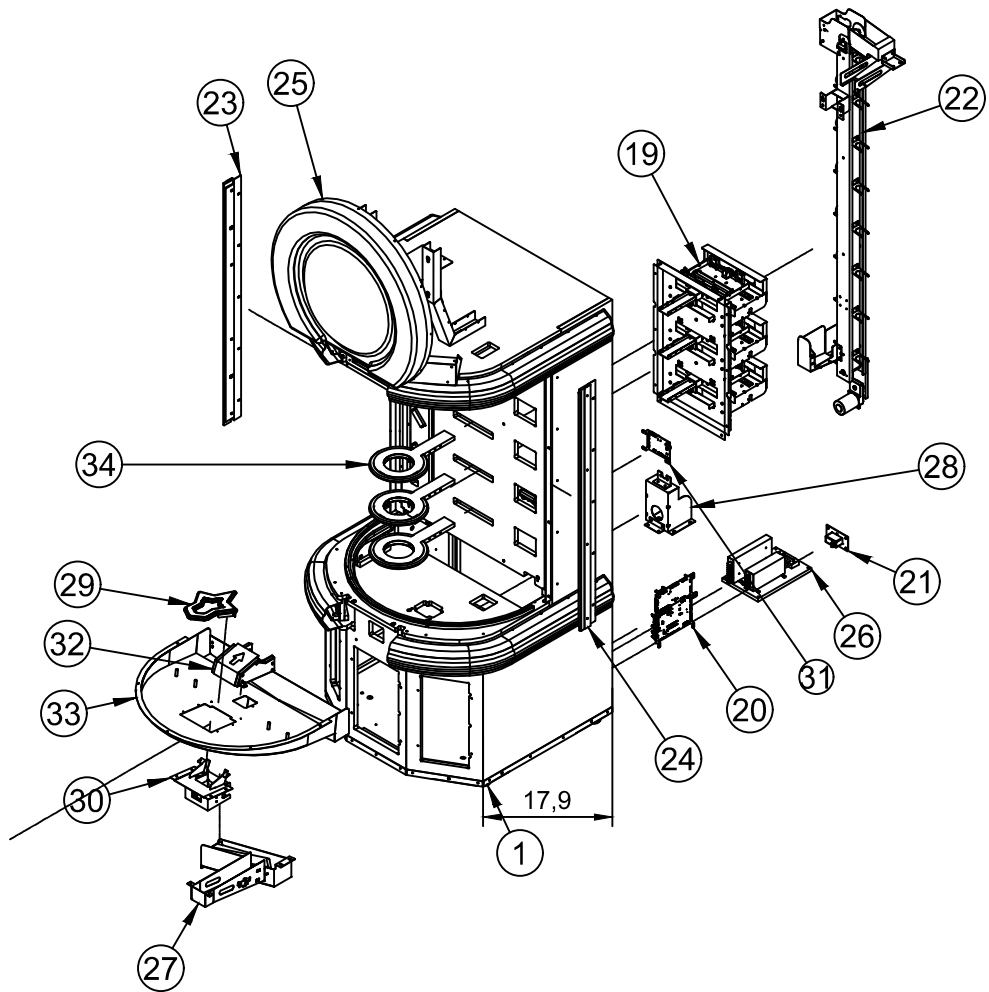
NO.	Code Number	QUANTITY	PART NAME	SPEC.
16	1911.WJ.13006900	1	TOP VACCUM BALL ENTER COVER Ass'y	ASSEMBLE (□□□□)
17	1911.YS.A0002400	6	WINDOW FRAME PC ACRYL INNER GUIDE A	RED CLEAR ACRYL - 15t (□□□□□□□)
18	1911.WJ.13008300	1	ELEVATOR TOP SUPPORT BASE BRKT	SPCC-2t
19	1911.WJ.10013300	2	BILLBOARD FIX WELD Ass'y	WELD Ass'y (□□□□)
20	1911.WJ.10012700	1	BONUS FND FIX BASE BRKT	SPCC-1.6t
21	1911.WJ.10013200	1	BILLBOARD SIDE ARROW Ass'y FIX BRKT - R	SPCC-1.6t
22	1911.WJ.10013100	1	BILLBOARD SIDE ARROW Ass'y FIX BRKT - L	SPCC-1.6t
23	1911.WJ.10008200	1	MAIN CABINET TOP HOLE COVER BRKT	SPCC-1.6t
24	1911.WJ.13006700	4	TOP ROTATE VACCUM FLEXIBLE FIX BRKT	SPCC-1.2t
25	1911.WJ.10004400	1	MINI GAME Ass'y FIX BRKT	SPCC-1.2t
26	1911.WJ.10004300	1	MINI GAME Ass'y FIX BRKT_mir	SPCC-1.2t
27	1911.YS.A0003300	1	MAIN CABINET PC COVER ACRYL	PC-2.0t
28	1911.WJ.10007100	1	TOP VACCUM BALL ENTER GUIDE BRKT B	SPCC-1.2t
29	1911.WJ.13008100	1	ELEVATOR TOP RAIL SUPPORT BRKT B	SPCC-1.6t
30	1911.YS.A0002800	3	WINDOW FRAME BALL BOND STOP PET	PET-1.0t

## 62. SYNC PONG



NO.	Code Number	QUANTITY	PART NAME	SPEC.
1	1911.YS.A0003300	1	MAIN CABINET Ass'y	ASSEMBLE (□□□)
2	1911.WJ.10011000	1	CASH BOX BODY Ass'y	ASSEMBLE (□□□)
3	1911.WJ.13004000	1	BALL STOP SOL Ass'y	ASSEMBLE (□□□)
4	0000.SJ.500000006	1	TICKET BOX ASSY	ASSEMBLE (□□□)
5	1911.WJ.10002000	1	FRONT DOOR ASSY	ASSEMBLE (□□□)
6	1911.YS.C0000600	3	BALL PASS SCORE Ass'y	ASSEMBLE (□□□)
7	1911.YS.C0000400	1	PONG BALL PASS SCORE Ass'y	ASSEMBLE (□□□)
8	1911.YS.A0001000	1	LOW HOLE SCORE Ass'y	ASSEMBLE (□□□)
9	1911.WJ.10002300	1	BUTTON PAN Ass'y	ASSEMBLE (□□□)
10	1911.WJ.10012600	2	MAIN CABINET CENTER COVER Ass'y	ASSEMBLE (□□□)
11	1911.WJ.10003400	2	MAIN CABINET SIDE COVER Ass'y	ASSEMBLE (□□□)
12	1911.WJ.10003500	2	MAIN CABINET SIDE COVER Ass'y _mir	ASSEMBLE (□□□)
13	1911.YS.C0000500	1	MINI BOUNS GAME Ass'y	ASSEMBLE (□□□)
14	1911.YS.C0001100	1	BALL GO ACRYL Ass'y	ASSEMBLE (□□□)
15	1911.YS.B0000300	1	BONUS FND Ass'y	ASSEMBLE (□□□)
16	1911.YS.A0000200	1	BILLBOARD SIDE ARROW Ass'y	ASSEMBLE (□□□)
17	1911.YS.A0000100	1	BILLBOARD SIDE ARROW Ass'y_mir	ASSEMBLE (□□□)
18	1911.WJ.13015100	1	TOP ROTATE VACCUM Ass'y	ASSEMBLE (□□□)

# 63. SYNC PONG



NO.	Code Number	QUANTITY	PART NAME	SPEC.
19	1911.WJ.10005400	1	RING OPERATION BASE Ass'y	ASSEMBLE(□□□)
20	Code No.	1	SYNC PONG MAIN BOARD Ass'y	ASSEMBLE (□□□)
21	1101.WJ.111170140	1	NOISE FILTER Ass'y	ASSEMBLE (□□□)
22	1911.WJ.10009000	1	ELEVATOR Ass'y	ASSEMBLE (□□□)
23	1911.WJ.10003300	1	MAIN CABINET SIDE LIGHT ACRYL Ass'y_mir	ASSEMBLE (□□□)
24	1911.WJ.10003300	1	MAIN CABINET SIDE LIGHT ACRYL Ass'y	ASSEMBLE (□□□)
25	1911.SJ.B0003400	1	BILLBOARD Ass'y	ASSEMBLE (□□□)
26	0000.JD.1LRS35012	1	POWER SMPS Ass'y	ASSEMBLE (□□□)
27	1911.WJ.13009200	1	BONUS PASS BALL RETURN BRKT Ass'y	ASSEMBLE (□□□)
28	1911.WJ.10010000	1	ELEVATOR BOTTOM SUPPROT BRKT Ass'y	ASSEMBLE (□□□)
29	1911.YS.A0001400	1	BONUS PASS ACRYL Ass'y	ASSEMBLE (□□□)
30	1911.WJ.10012200	1	BONUS PASS BASE COVER Ass'y	ASSEMBLE (□□□)
31	Code No.	1	PASSTHRU RING SENSOR	KMIO-1905-185B
32	1911.WJ.10011600	1	LOW PAN UPPER CENTER BASE Ass'y	ASSEMBLE(□□□)
33	1911.WJ.10011400	1	LOW GAME PAN Ass'y	ASSEMBLE (□□□)
34	1911.WJ.10004600	3	PASS RING Ass'y	ASSEMBLE (□□□)